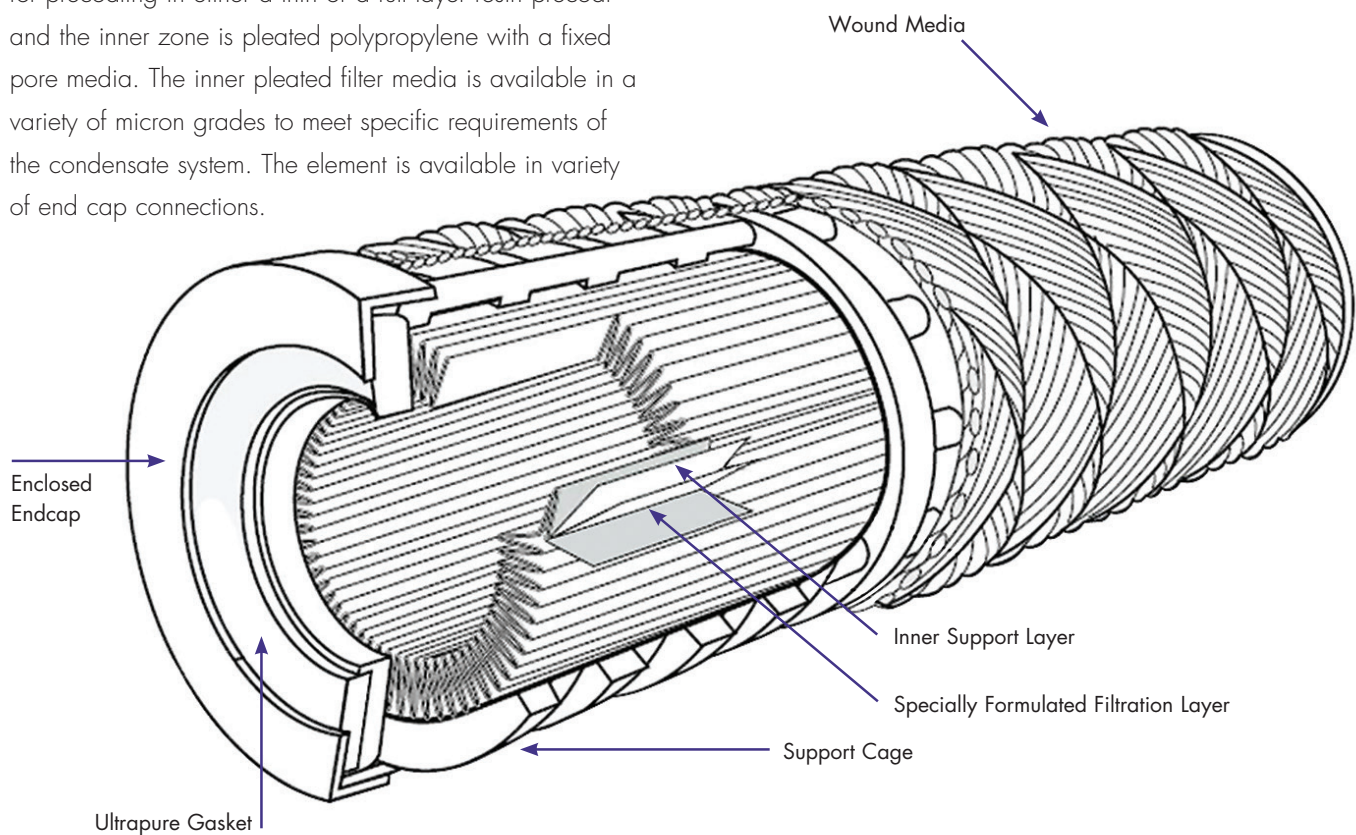


DUALGUARD I®

High Performance Water Treatment for Power Generation

Aegis® DualGuard I® Condensate Polishing Septa

Graver Technologies DualGuard I® elements are engineered for systems that require a uniform precoat on the outer surface of the septa, providing an effective removal of iron oxide particles while still allowing for an effective backwash. The all polypropylene constructed element has two distinct zones. The outer zone is a multi-string wound surface ideal for precoating in either a thin or a full layer resin precoat and the inner zone is pleated polypropylene with a fixed pore media. The inner pleated filter media is available in a variety of micron grades to meet specific requirements of the condensate system. The element is available in variety of end cap connections.



Aegis DualGuard I deliver revolutionary features and benefits in easy-to-use formulations

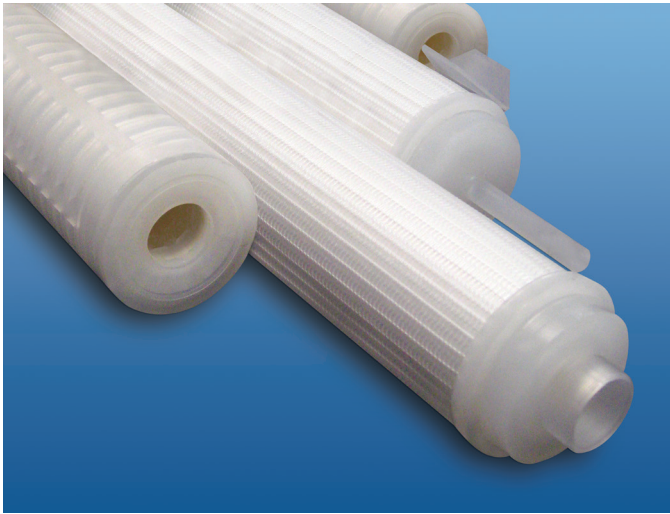
FEATURES

- > The optimum precoat surface allows for the distribution and sustainability of an evenly thin layer precoat for optimum performance
- > Precoatable with a full or thin layer of powdered resin
- > Available in various outside diameters
- > Fixed pore construction eliminates dirt unloading as differential pressure increases
- > High surface area of pleated media
- > Removal efficiency rated at 99.9%

BENEFITS

- > Versatile outside diameter allows for surface area improvement
- > Low pressure drop
- > Unique high purity gaskets will not cause chemistry issues

Aegis® DualGuard I® Condensate Polishing Septa



Graver Technologies Worldwide Locations



Septa Specifications

Media	Polypropylene	
Inner Core	Polypropylene	Polypropylene
End Caps	Polypropylene	Polypropylene
Cage	Polypropylene	Polypropylene
Gaskets/ O-Rings Options	EDM Sulfur Free	
Micron Ratings	1, 3, 5, 10, 25µm	
	Other micron rated media available upon request	
DIMENSIONS		
Nominal Lengths	50" (1,270 mm)	60" (1,524 mm)
	70" (1,778 mm)	80" (2,032 mm)
Outside Diameter	2.50" (63.5 mm)	
Inside Diameter	1" (25.4 mm)	
Maximum Operating Temperature	Polypropylene: 180°F (85°C)	
	Polypropylene Maximum 130 psid @ 70°F (8.9 bar @ 21°C)	
Collapse Pressure	40 psid @ 180°F (2.8 bar @ 85°C)	

Superior Products and Global Reach

Graver Technologies designs, develops and manufactures ion exchange technology and products that enable and enhance separation, purification, process filtration and analysis. A Marmon Water/Berkshire Hathaway Company, Graver has a long history of strong corporate support, ion exchange innovation, industry commitment, global reach and world-class capabilities.

Whether you are around the corner or across the globe, Graver Technologies supports customers with superior products and services. Customers worldwide trust our products over competitive offerings; we export about a third of our manufacturing output. Backed by more than half a century of innovation, our ion exchange products treat over 6.5 billion gallons of water daily in more than 38 countries.

In the United States, over 90 percent of nuclear power facilities choose Graver's ion exchange systems, services and products to meet stringent water purity requirements.



Graver Technologies

All information and recommendations appearing in this bulletin concerning the use of products described herein are based on tests believed to be reliable. However, it is the user's responsibility to determine the suitability for his own use of such products. Since the actual use by others is beyond our control, no guarantee, expressed or implied, is made by Graver Technologies as to the effects of such use or the results to be obtained. Graver Technologies assumes no liability arising out of the use by others of such products. Nor is the information herein to be construed as absolutely complete, since additional information may be necessary or desirable when particular exceptional conditions or circumstances exist or because of applicable laws or governing regulations. Aegis DualGuard I is a register trademark of Graver Technologies. © 2019 Graver Technologies, LLC. All rights reserved.

Graver Technologies, LLC

200 Lake Drive, Glasgow, DE 19702
T 800.533.6623
T 302.731.1700
F 302.731.1707
 info@gravertech.com
 gravertech.com

China

RM 16D, Building B
 No. 1118, Changshou Road
 Shanghai, China 200042
T +(86) 21.5238.6576
F +(86) 21.5238.6579

Europe

T +33 (6) 1933.1110

India

T +(91) 9212.722.691

United States

Quality Management System
 ISO 9001
 FM 38860



A Marmon Water/Berkshire Hathaway Company

GTX-505 08/2019