

AUSTRALIA



Industrial Pressure Gauges

Floyd Instruments' Industrial Series Pressure Gauges

are designed & manufactured for use in aggressive process media applications where accuracy, repeatability, and long term reliability are required. A great choice for satisfying many industrial applications and installation requirements



Floyd Instruments Industrial Pressure Gauges are specifically designed to meet **the stringent demands of any Industrial application.**

Floyd Instruments Industrial Pressure Gauges are specifically designed to meet the stringent demands of any industrial application. Suitable for all applications where accuracy, repeatability and long term stability are of importance. They can be used for liquid or gaseous substances within non corrosive applications where the medium will not attack brass or bronze.

Ideally suited to harsh environmental conditions, due to the stainless steel case, which can be supplied dry or liquid filled when protection is required against pulsation and or vibration. Scales are offered in standard kPa units or can be supplied in psi, bar, MHW (meter head water) kg/cm², Tons or other, custom dials are also available with red lines, coloured bands or sectors.

Features

- Supplied Dry or Liquid Filled
- Nominal sizes (mm) 63 and 100
- Stainless Steel Case and Bezel
- Brass Connections
- IP65 Degree of protection
- Highly Accurate
- Superior resistance to Shock
- Can be combined with diaphragm seals

Applications

- Hydraulic & Pneumatic Systems
- Plant Apparatus Construction
- OEM Equipment
- Machine Construction
- Power Generation
- Pumps & Compressors
- Heating & Air Conditioning
- Refrigeration



Specifications

Range

- -100 kPa to 60,000 kPa
- Dual Scale kPa/PSI as Standard (from 0 up to 4000kPa)
- Can supply with Other Scales, Dual Scales, Custom Logo

Dial

- White face with black/red printing
- Individual serial number for traceability

Case

- Stainless steel AISI-304;
- Bayonet ring: polished stainless steel AISI-304
- IP-65 if Liquid Filled

Window

- Laminated safety glass

Temperature Range

- Ambient: -20°C ... +60°C (dry)
- Process: +60°C maximum

Movement

- Brass with min. needle stop

Measuring Element

- Bourdon tube, Brass

Accuracy

- ± 1.0% of full scale (NS 100mm)
- ± 1.6% of full scale (NS 63mm)

Neck/Thread

- 1/4 BSPT Male / Brass (NS - 63mm)
- 3/8 BSPT Male / Brass (NS - 100mm)
- Includes internal thread to mount restrictor screw for pulsation dampening

Pointer

- Aluminum, black

Product Selection Data

Choose your product specifications and options below to configure your product



Model	Size	Mounting		Wetted Parts		Range		Thread		Oil Fill
PBX	63	A	Direct Mount / Bottom Entry	B	Brass	01	-100 - 0 kPa	1/4	1/4 BSPT	OF
						02	-100 -0- 60 kPa	3/8	3/8 BSPT	
	100	C	Direct Mount / Lower Rear Entry			03	-100 -0- 150 kPa	Leave Blank if Dry Fill		
	04					-100 -0- 300 kPa				
	160	S	Surface Mount / Bottom Entry (Back Flange)			05	-100 -0- 500 kPa			
						06	-100 -0- 900 kPa			
						07	-100 -0- 1600 kPa			
		P	Panel Mount / Rear Entry (U-Clamp fixing)			08	0 - 60 kPa			
						09	0 - 100 kPa			
		F	Flush Mount / Rear Entry (3-Hole Front Flange)			10	0 - 160 kPa			
						11	0 - 250 kPa			
						12	0 - 400 kPa			
						13	0 - 600 kPa			
						14	0 - 800 kPa			
		15	0 - 1000 kPa							
		16	0 - 1600 kPa							
		17	0 - 2500 kPa							
	18	0 - 4000 kPa								
	19	0 - 6000 kPa								
	20	0 - 8000 kPa								
	21	0 - 10,000 kPa								
	22	0 - 16,000 kPa								
	23	0 - 25,000 kPa								
	24	0 - 40,000 kPa								
	25	0 - 60,000 kPa								

Options/Accessories for Pressure Gauges

- Internal Thread Restrictor
- Red Set Pointer with Adjustment Knob
- Min or Max Pointer with Adjustment
- Single Electrical Contact Rise or Fall
- Double Electrical Contact Rise/Fall or Rise/Rise or Fall/Fall
- Reducers/Adaptors
- Snubbers with Adjustment Screw
- Pigtail or U Syphons
- Perspex Windows

Customised Gauges

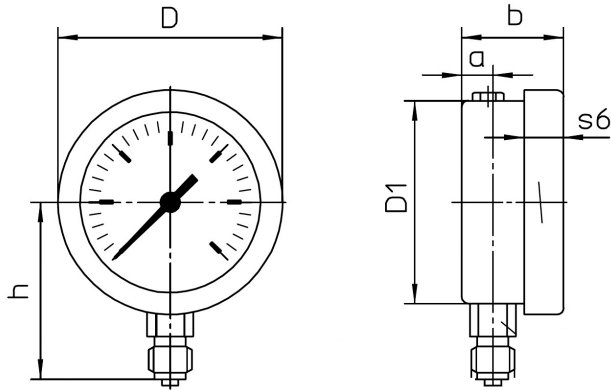
Floyd Instruments specialises in customising gauges to customers requirements from special dial markings, red lines, coloured sectors, purpose wording or company logos.

Scales can be offered in units of kPa, PSI (lb/in²), bar, mWg, ftWg, inWg, mmWg, inHg, cmHg, mmHg, KG/cm², KN, Ton, Tonne, refrigerant, ammonia, vacuum, dual scale and other.

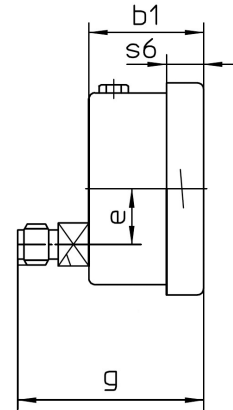
Enquire today to discuss your customised gauge requirements, with one of our friendly Customer Care team members

Dimensional Data 63mm

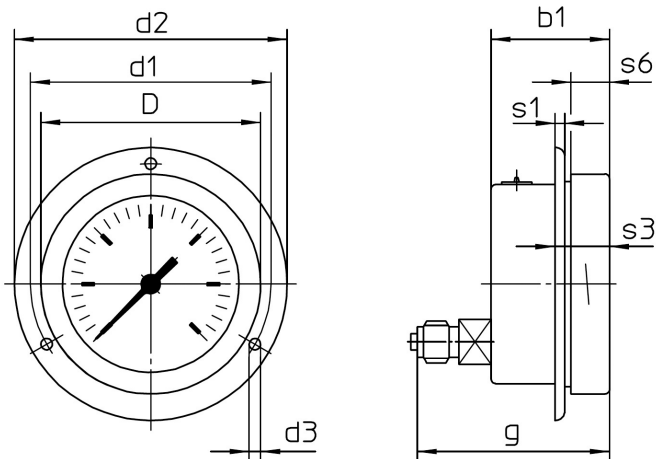
Direct mount bottom entry



Direct mount rear entry

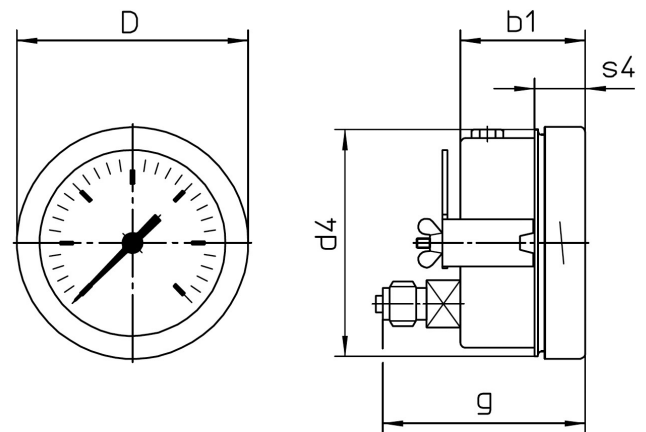


Flush mount rear entry



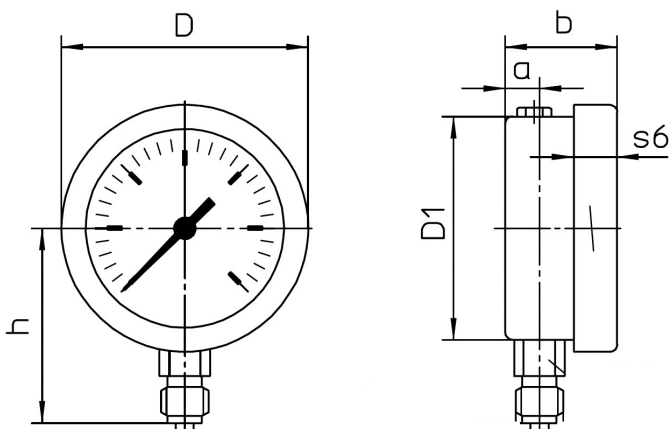
recommended panel cut out $\varnothing 64 \pm 0.5 \text{ mm}$ (0.02")

Panel mount rear entry



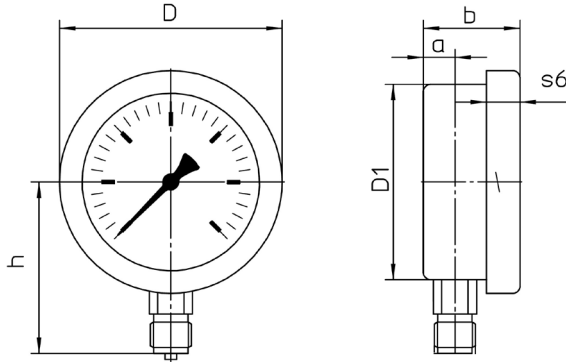
recommended panel cut-out $\varnothing 64 \pm 0.5 \text{ mm}$ (0.02")

Surface mount bottom entry

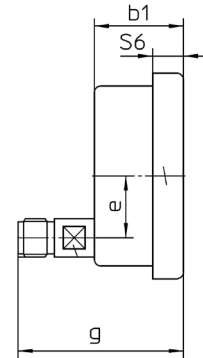


Dimensional Data 100mm

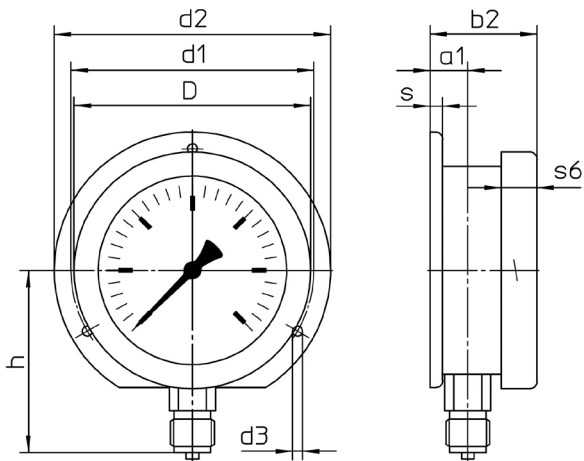
Direct mount bottom entry



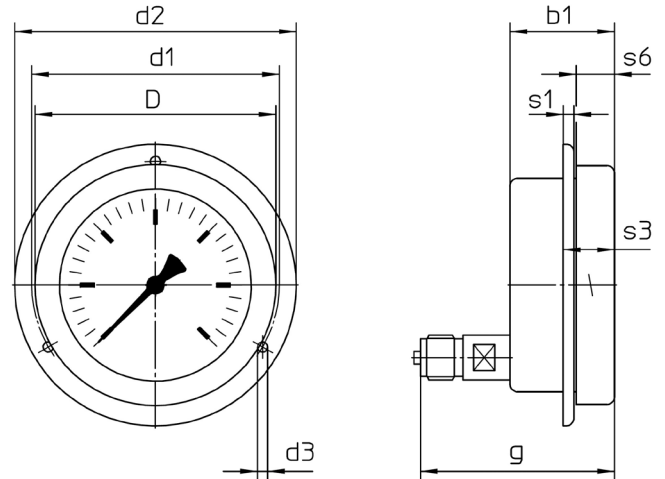
Direct mount rear entry



Surface mount bottom entry

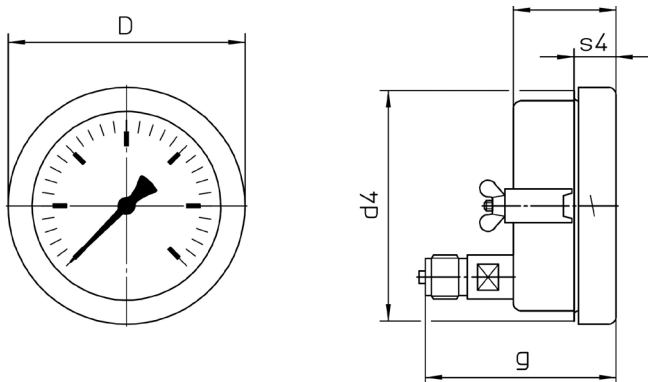


Flush mount rear entry



recommended panel cut out for NCS 100 (4") $\varnothing 102 \pm 0.5 \text{ mm}$ (0.02")

Panel mount rear entry



recommended panel cut out for NCS 100 (4") $\varnothing 102 \pm 0.5 \text{ mm}$ (0.02")

Dimensional Data 63mm

Dimensional Data (mm / inches) and Weight (kg / lb)																				
NCS	a	a1	b	b1	b2	D	D1	d1	d2	d3	d4	e	g	h ^{±1}	s	s1	s3	s4	s6	approx weight ¹⁾
63 2½"	9.5 .37	13.5 .53	31 1.22	37 1.46	35 1.38	68.5 2.7	62 2.44	75 2.95	85 3.35	3.6 .14	67 2.64	18 .71	60 2.36	54 2.13	5 .20	3 .12	17 .67	15 .59	12 .47	0.18 .4

¹⁾ Information for version without mounting device

Dimensional Data 100mm

Dimensional Data (mm / inches) and Weight (kg / lb)																				
NCS	a	a1	b	b1	b2	D	D1	d1	d2	d3	d4	e	g	h ^{±1}	s	s1	s3	s4	s6	approx weight ¹⁾
100 4"	16 .63	18 .71	49 1.93	49 1.93	51 2.01	113 4.45	99 3.9	116 4.57	132 5.2	4.8 .19	110 4.33	34 1.34	91 3.58	87 3.43	6 .24	4 .16	24 .94	20 .79	17 .67	0.55 1.2

¹⁾ Information for version without mounting device