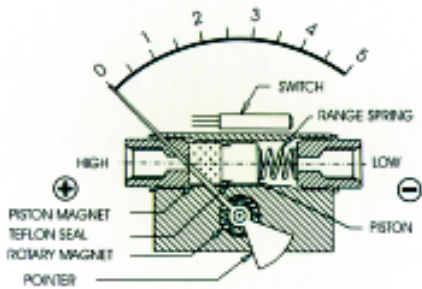


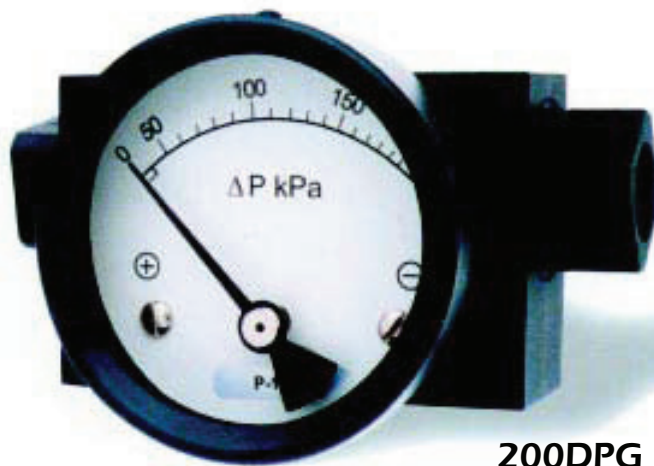
# PISTON INSTRUMENTS



**General Purpose  
Rugged & cost effective**

## APPLICATIONS:

Filters, hydraulic systems, water treatment plants, chemical plants, natural gas processing, heat exchangers, gasoline/diesel engine filters, pumps & valves, compressors

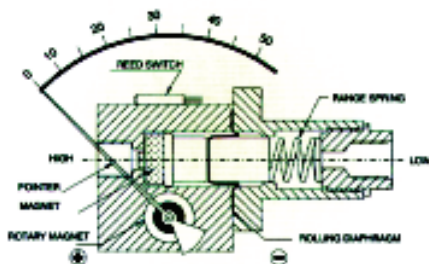


**200DPG**

## SPECIFICATIONS:

**Body materials:** Aluminium, brass or 316SS  
**Switches:** Up to 2 field adjustable SPST/SPDT reed switches.  
**Protection:** Gauge & switch IP65  
**Working pressure:** Standard up to 20,000 kPa. Option enables up to 40,000 kPa  
**Working Temp.:** 80°C / 175°F max  
**Differential Ranges:** 0/25 to 0/1,000 kPa  
**Seals:** Buna N, Viton, EPDM  
**Porting:** 1/4"NPT in-line standard. Back, bottom and other threads optional.

# ROLLING DIAPHRAGM



**Measurement of high differential pressure at high line pressures using a diaphragm**

## APPLICATIONS:

Monitor filter conditions, set filter by-pass or initiate filter cleaning cycle. Determine obstructions in process lines, Check condition of pumps, heat exchangers, and other processing equipment. Adjust flow rates in piping systems. monitor liquid levels in storage tanks



**200DGR**

## SPECIFICATIONS:

**Body materials:** Aluminium, brass or 316SS  
**Switches:** Up to 2 field adjustable SPST/SPDT reed switches.  
**Protection:** Gauge & switch IP65  
**Working pressure:** Up to 20,000 kPa / 3000 psi  
**Working Temperature:** 80°C / 175°F max  
**Differential Ranges:** 0/25 to 0/700 kPa, 5 to 100 psi  
**Seals:** Buna N, Viton, EPDM  
**Porting:** 1/4"NPT in-line standard. Back, bottom & other threads optional

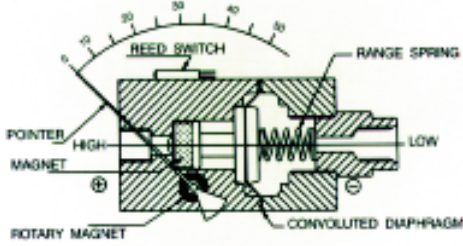


## Floyd Instruments Pty Ltd

24 Trade Park Drive Tullamarine VIC 3043  
 Phone (03) 9339 3400 ~ Fax (03) 9339 3411  
[sales@floydinstruments.com.au](mailto:sales@floydinstruments.com.au) ~ [www.floydinstruments.com.au](http://www.floydinstruments.com.au)

*Passion for Precision*

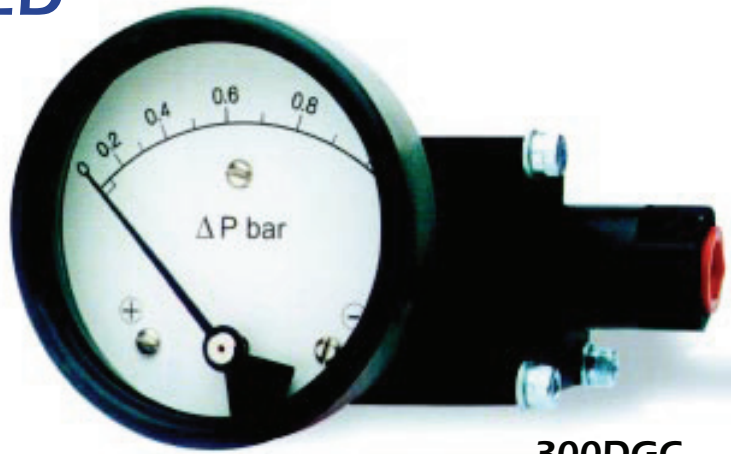
# SMALL CONVOLUTED DIAPHRAGM INSTRUMENTS



**For Measurement of low differential pressures**

## APPLICATIONS:

Monitor filter conditions, set filter by-pass, or initiate cleaning cycle. Determine obstructions in process lines. Check condition of pumps, heat exchangers and other processing equipment. Detect abnormal and reverse flow conditions. Measure flow rates with venturi, orifice or pitot tube. Balance and adjust flow rates in piping systems. Monitor liquid levels in tanks.

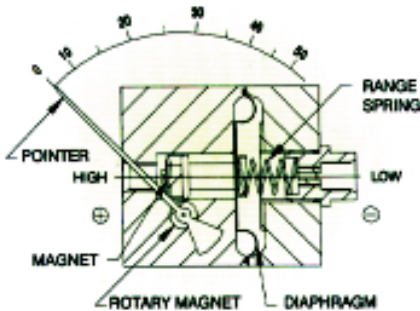


**300DGC**

## SPECIFICATIONS:

**Body materials:** Aluminium, brass, 316SS, nylon  
**Switches:** Up to 2 field adjustable SPST/SPDT reed switches.  
**Protection:** Gauge & switch IP65  
**Working pressure:** Up to 10,000 kPa / 1500 psi  
**Working Temp:** 80°C / 175°F max  
**Differential Ranges:** 0/0.75 to 400 kPa  
**Seals:** Buna N, Viton, EPDM  
**Porting:** 1/4" NPT in-line standard, back and bottom optional

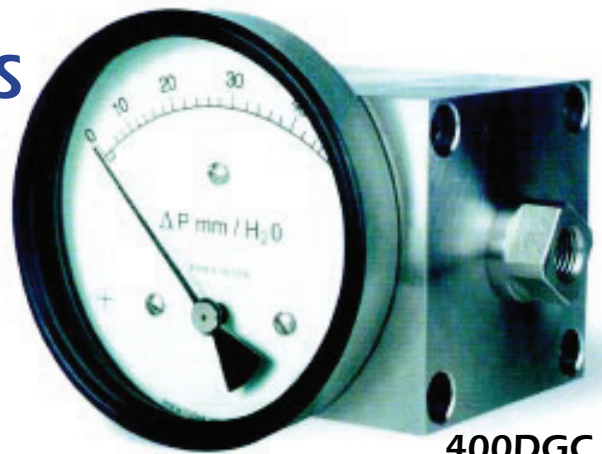
# MEDIUM CONVOLUTED DIAPHRAGM INSTRUMENTS



**For Measurement of very low differential pressure at high line pressures**

## APPLICATIONS:

Monitor filter conditions, set filter by-pass, or initiate cleaning cycle. Check condition of pumps, heat exchangers and other processing equipment. Detect abnormal and reverse flow conditions. Measure flow rates with venturi, orifice or pitot tube.



**400DGC**

## SPECIFICATIONS:

**Body materials:** Aluminium, 316SS.  
**Protection:** Gauge & switch IP65  
**Working pressure:** Up to 10,000 kPa  
**Working Temperature:** 80°C / 175°F max  
**Differential Ranges:** 0/25mm to 600mm H<sub>2</sub>O  
**Seals:** Buna N, Viton  
**Porting:** 1/4" NPT In-line (standard), bottom or back. (Other sizes available)



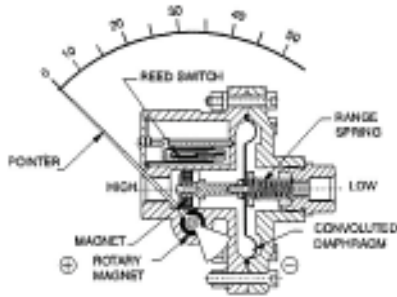
## Floyd Instruments Pty Ltd

24 Trade Park Drive Tullamarine VIC 3043  
 Phone (03) 9339 3400 ~ Fax (03) 9339 3411  
[sales@floydinstruments.com.au](mailto:sales@floydinstruments.com.au) ~ [www.floydinstruments.com.au](http://www.floydinstruments.com.au)

*Passion for Precision*

# MAGNETIC

Measurement of differential pressure as low as 25mm water.



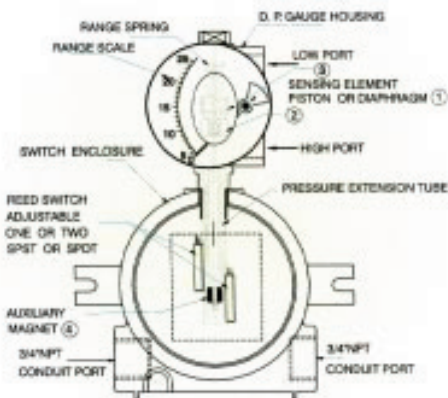
## SPECIFICATIONS:

<b>Body materials:</b>	Engineering polymer
<b>Accuracy:</b>	+/- 3% of FSR (Ascending)
<b>Protection:</b>	Gauge & switch IP65
<b>Working pressure:</b>	35 psi / 2.4 bar
<b>Working Temp:</b>	60°C / 140°F max
<b>Differential Range:</b>	25mm to 1000mm Wc
<b>Seals:</b>	Buna N, Silicone
<b>Porting:</b>	In-line or back (User to specify)
<b>Dial Size:</b>	112mm
<b>Connections:</b>	1/8" NPT (F)

## APPLICATION EXAMPLES

- ▶ Monitor air-handling units.
- ▶ Measure fan & blower pressure.
- ▶ Pressure drop across filters.
- ▶ Level measurement.
- ▶ Monitor condition of filter on laminar flow devices.

# EXPLOSION PROOF



Available in piston & diaphragm sensors.  
Adjustable reed contact switching

## APPLICATIONS:

Hazardous locations in petro-chemical industries, process industries, explosive conditions, and oilfield sectors.



## SPECIFICATIONS:

<b>Body materials:</b>	Aluminium, brass & 316SS
<b>Switches:</b>	Up to 2 field adjustable SPST / SPDT reed switches.
<b>Protection:</b>	Gauge IP65 Switches & elec. connections are enclosed in a UL, CSA, FM, CENELEC approved box.
<b>Working pressure:</b>	Up to 20,000kPa / 3000 psi
<b>Working Temp:</b>	80°C / 175°F max
<b>Differential Ranges:</b>	0/25 to 0/700 kPa. 0/5 to 0/150 psi
<b>Seals:</b>	Buna N, Viton, EPDM
<b>Porting:</b>	1/4" NPT bottom (side) & back-line only



## Floyd Instruments Pty Ltd

24 Trade Park Drive Tullamarine VIC 3043  
Phone (03) 9339 3400 ~ Fax (03) 9339 3411  
sales@floydinstruments.com.au ~ www.floydinstruments.com.au

*Passion for Precision*