

AUSTRALIA



Heavy Duty Full Stainless Steel Pressure Gauges

Our Range of full Stainless Steel Pressure Gauges

offers superior quality & reliability & are ideally suited for harsh conditions & the resulting high demands on pressure measurement in process industries, Mining, & other comparable areas



Our range of full Stainless Steel pressure gauges offers superior quality and reliability

Suitable for corrosive applications where the medium will not attack stainless steel. Ideally suited to harsh environmental conditions, due to the all stainless steel construction, which can be supplied dry or if protection is required against pulsation and or vibration these gauges can be supplied liquid filled. An ideal solution for any harsh environment pressure measurement application

Features

- Supplied Dry or Liquid Filled
- Nominal sizes (mm) 63,100,160
- Full Stainless Steel Wetted Parts
- Can be combined with diaphragm seals
- IP65 Degree of protection
- Highly Accurate
- Superior resistance to Shock

Applications

- Hydraulic & Pneumatic Systems
- Food & Beverage
- OEM Equipment
- Mining
- Oil & Gas
- Power Generation
- Pumps & Compressors
- Heating & Air Conditioning
- Chemical / Petrochemical
- Marine

Specifications

Range

- -100 kPa to 100,000 kPa
- Single Scale kPa as Standard
- Can supply with Other Scales, Dual Scales, Custom Logo

Dial

- White face with black printing
- Individual serial number for traceability

Case

- Stainless steel AISI-304; IP-65 if Liquid Filled
- Bayonet ring: polished stainless steel AISI-304

Window

- Laminated safety glass

Temperature Range

- Ambient: -20°C ... +60°C (dry)
- Process: +100°C maximum

Movement

- Stainless steel AISI-304 with min. needle stop

Measuring Element

- Bourdon tube, Stainless Steel AISI-316L

Accuracy

- $\pm 1.0\%$ of full scale (NS 100 & 160mm)
- $\pm 1.6\%$ of full scale (NS 63mm)

Neck/Thread

- 1/4 BSPT Male / Stainless steel AISI-316L (NS - 63mm)
 - 3/8 BSPT Male / Stainless steel AISI-316L (NS - 100mm)
 - 1/2 NPT Male / Stainless steel AISI-316L (NS - 100mm)
 - 1/2 BSPT Male / Stainless steel AISI-316L (NS - 160mm)
- Includes internal thread to mount restrictor screw for pulsation dampening

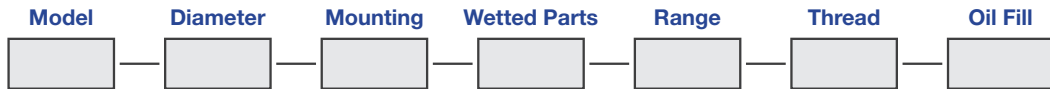
Pointer

- Aluminum, black



Product Selection Data

Choose your product specifications and options below to configure your product



Model	Size	Mounting		Wetted Parts		Range		Thread		Oil Fill	
PBX	63	A	Direct Mount / Bottom Entry	S	316 Stainless Steel	01	-100 - 0 kPa	1/4	1/4 BSPT	OF	
						02	-100 -0- 60 kPa	3/8	3/8 BSPT		
	03	-100 -0- 150 kPa	1/2			1/2 BSPT					
		100	C			Direct Mount / Lower Rear Entry	04	-100 -0- 300 kPa	1/2N	1/2 NPT	Leave Blank if Dry Fill
	05						-100 -0- 500 kPa				
	06	-100 -0- 900 kPa									
	07	-100 -0- 1600 kPa									
	28	-100 -0- 2500 kPa									
	08	0 - 60 kPa									
	09	0 - 100 kPa									
	160	S	Surface Mount / Bottom Entry (Back Flange)	10	0 - 160 kPa						
11				0 - 250 kPa							
		P	Panel Mount / Rear Entry (U-Clamp fixing)	12	0 - 400 kPa						
				13	0 - 600 kPa						
		F	Flush Mount / Rear Entry (3-Hole Front Flange)	14	0 - 800 kPa						
				15	0 - 1000 kPa						
				16	0 - 1600 kPa						
				17	0 - 2500 kPa						
				18	0 - 4000 kPa						
				19	0 - 6000 kPa						
				20	0 - 8000 kPa						
				21	0 - 10,000 kPa						
				22	0 - 16,000 kPa						
				23	0 - 25,000 kPa						
				24	0 - 40,000 kPa						
				25	0 - 60,000 kPa						
				26	0 - 80,000 kPa						
				27	0 - 100,000 kPa						

Options/Accessories for Pressure Gauges

- Internal Thread Restrictor
- Red Set Pointer with Adjustment Knob
- Min or Max Pointer with Adjustment
- Single Electrical Contact Rise or Fall
- Double Electrical Contact Rise/Fall or Rise/Rise or Fall/Fall
- Reducers/Adaptors
- Snubbers with Adjustment Screw
- Pigtail or U Syphons
- Perspex Windows

Customised Gauges

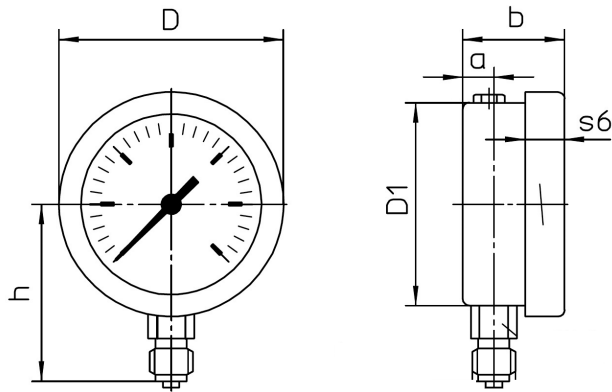
Floyd Instruments specialises in customising gauges to customers requirements from special dial markings, red lines, coloured sectors, purpose wording or company logos.

Scales can be offered in units of kPa, PSI (lb/in²), bar, mWg, ftWg, inWg, mmWg, inHg, cmHg, mmHg, KG/cm², KN, Ton, Tonne, refrigerant, ammonia, vacuum, dual scale and other.

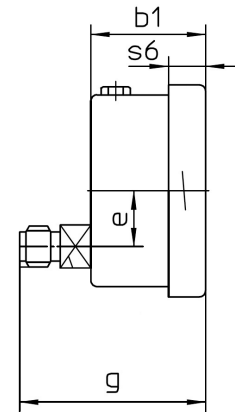
Enquire today to discuss your customised gauge requirements, with one of our friendly Customer Care team members

Dimensional Data 63mm

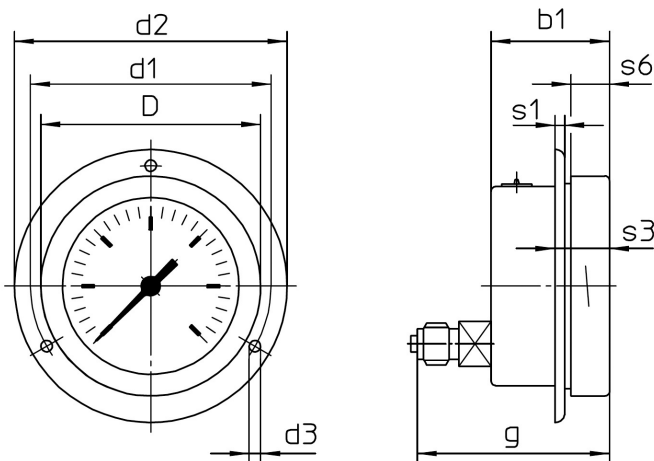
Direct mount bottom entry



Direct mount rear entry

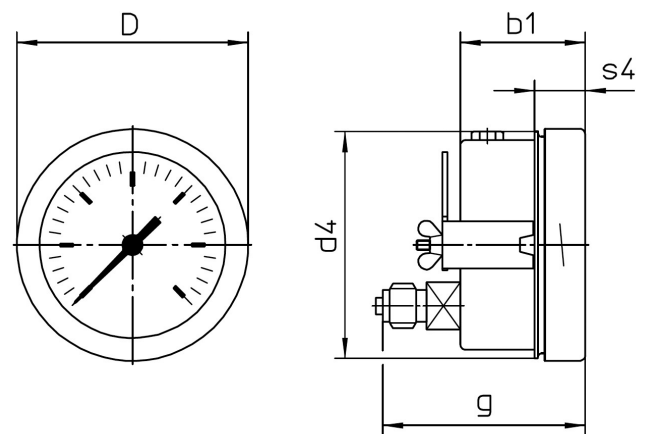


Flush mount rear entry



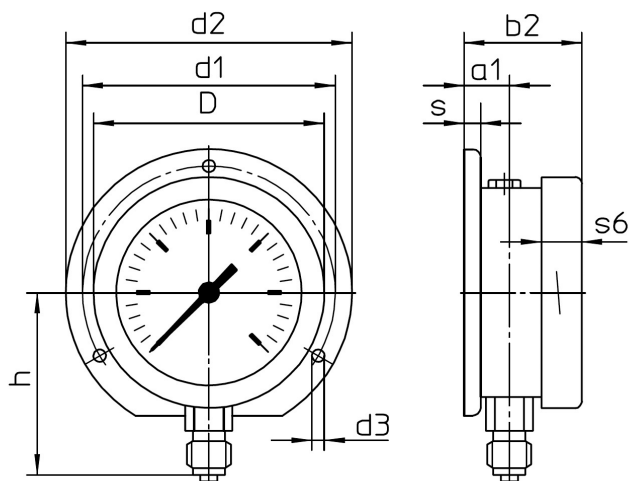
recommended panel cut out $\varnothing 64 \pm 0.5 \text{ mm (0.02")}$

Panel mount rear entry



recommended panel cut-out $\varnothing 64 \pm 0.5 \text{ mm (0.02")}$

Surface mount bottom entry



Dimensional Data 63mm

Dimensional Data (mm / inches) and Weight (kg / lb)																				
NCS	a	a1	b	b1	b2	D	D1	d1	d2	d3	d4	e	g	h ±1	s	s1	s3	s4	s6	approx weight ¹⁾
63 2½"	9.5 .37	13.5 .53	31 1.22	37 1.46	35 1.38	68.5 2.7	62 2.44	75 2.95	85 3.35	3.6 .14	67 2.64	18 .71	60 2.36	54 2.13	5 .20	3 .12	17 .67	15 .59	12 .47	0.18 .4

¹⁾ Information for version without mounting device

Dimensional Data 100mm

Dimensional Data (mm / inches) and Weight (kg / lb)																				
NCS	a	a1	b	b1	b2	D	D1	d1	d2	d3	d4	e	g	h ±1	s	s1	s3	s4	s6	approx weight ¹⁾
100 4"	16 .63	18 .71	49 1.93	49 1.93	51 2.01	113 4.45	99 3.9	116 4.57	132 5.2	4.8 .19	110 4.33	34 1.34	91 3.58	87 3.43	6 .24	4 .16	24 .94	20 .79	17 .67	0.55 1.2
160 6"	16 .63	18 .71	50 1.97	50 1.97	52 2.05	173 6.82	159 6.26	178 7.01	196 7.72	5.8 .23	170 6.69	34 1.34	92 3.62	115 4.53	6 .24	3 .12	24 .94	22 .87	19 .75	1.00 2.2

¹⁾ Information for version without mounting device