

AUSTRALIA



Light Industrial Pressure Gauges

Our Range of Light Industrial Pressure Gauges provide economical, reliable service in a wide variety of applications where the medium will not attack brass or phosphor bronze.



Our range of Light Industrial pressure gauges offers superior quality & performance at an affordable price

The Floyd range of Light Industrial gauges are intended for general Industrial conditions, used with pressure or vacuum applications where the measured medium does not corrode brass. These gauges cover a wide variety of ranges from full vacuum to 40,000 kpa (6,000 psi) and are available in bottom, rear or surface connections, with nominal sizes of 50, 63, 100 and 150mm.

This range of Floyd Pressure Gauges combines an aesthetic design offering reliability and performance for light industrial applications, and is an ideal solution for general pressure measurement.

Features

- Supplied Dry Only
- Suitable for non-clogging and non-corroding media
- Nominal sizes (mm) 50, 63,100,150
- IP52 Degree of Protection
- Conforms to AS1349-1986



Applications

- Plumbing
- Heating
- Air Conditioning
- Compressors
- Water Tanks
- Regulators
- Hydraulics
- OEM

Specifications

Range

- -100 - 0 kPa to 0 - 40,000 kPa
- Steel case Dual kPa/psi as Standard
- Brass case Single kPa as Standard

Case

- Black Painted Steel (NS 50 & 63mm)
- Brass (NS 63, 100 & 150mm)

Dial

- Aluminum White face with black & red printing

Accuracy

- $\pm 1.0\%$ of full scale (NS 100 & 150mm)
- $\pm 3.0\%$ of full scale (NS 50 & 63mm)

Window

- Polycarbonate
- Glass

Temperature Range

- Ambient: -20°C ... $+60^{\circ}\text{C}$
- Process: $+70^{\circ}\text{C}$ maximum

Movement

- Brass

Measuring Element

- Phosphor Bronze / Copper Alloy

Neck/Thread

- 1/8 BSPT Male / Brass (NS 50mm)
- 1/4 BSPT Male / Brass (NS 63mm)
- 3/8 BSPT Male / Brass (NS 100,150mm)*

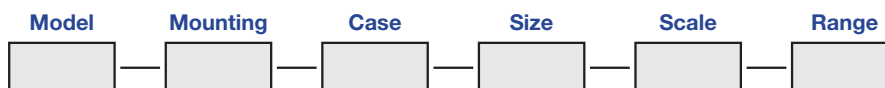
* Includes internal thread to mount restrictor screw for pulsation dampening

Pointer

- Aluminum, black

Product Selection Data

Choose your product specifications and options below to configure your product



Model	Mounting	Case	Size	Scale	Range						
P	A	Direct Mount / Bottom Entry	S	Black Painted Steel	050	50mm	S	Single kPa	01	-100 - 0 kPa	
			B	Brass	063	63mm	D	Dual kPa/psi	02	-100 -0- 60 kPa	
	C	Direct Mount / Centre Rear Entry			100	100mm			03	-100 -0- 150 kPa	
					150	150mm			04	-100 -0- 300 kPa	
	S	Surface Mount / Bottom Entry (Back Flange)							05	-100 -0- 500 kPa	
									06	-100 -0- 900 kPa	
										09	0 - 100 kPa
										10	0 - 160 kPa
										11	0 - 250 kPa
										12	0 - 400 kPa
										13	0 - 600 kPa
										14	0 - 800 kPa
										15	0 - 1000 kPa
										16	0 - 1600 kPa
										17	0 - 2500 kPa
										18	0 - 4000 kPa
										19	0 - 6000 kPa
										20	0 - 8000 kPa
										21	0 - 10000 kPa
										22	0 - 16000 kPa
										23	0 - 25000 kPa
										24	0 - 40000 kPa

Options/Accessories for Pressure Gauges

- Reducers/Adaptors
- Snubbers with Adjustment Screw
- Pigtail or U Syphons
- Perspex Window
- Ball Values
- Pulsation Dampener

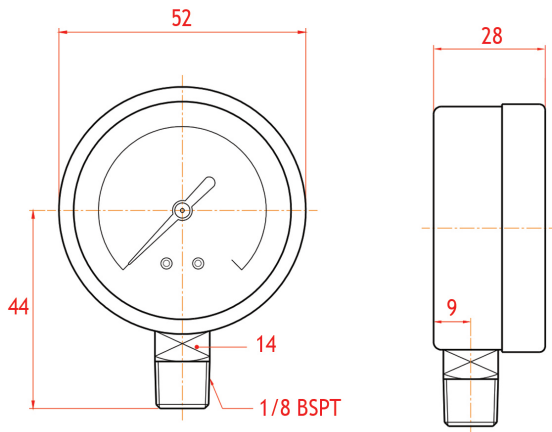
Customised Gauges

Floyd Instruments can also manufacture gauges to customers' requirements from different mounting styles, special dial markings, red lines, coloured sectors, purpose wording, company logos or non-standard thread connections.

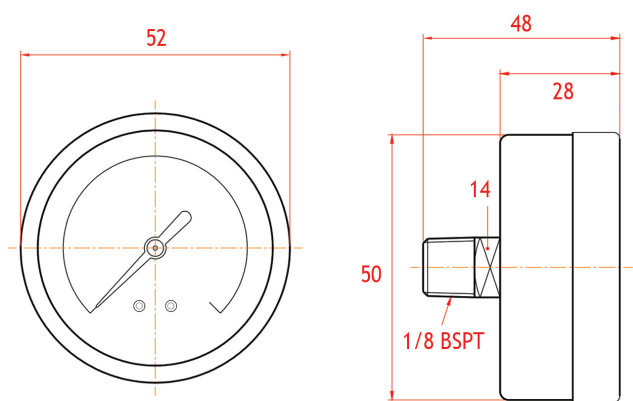
Enquire today to discuss your customized gauge requirements, with one of our friendly Customer Care team members

Dimensional Data 50mm

Direct mount Bottom entry

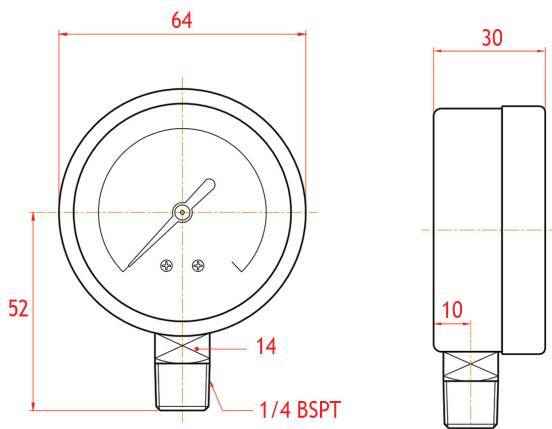


Direct mount Rear entry

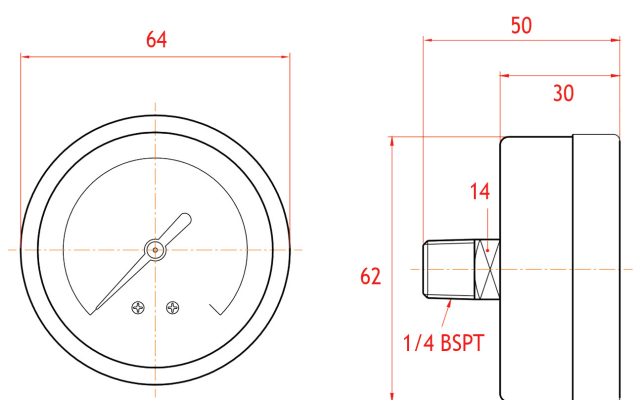


Dimensional Data 63mm

Direct mount Bottom entry



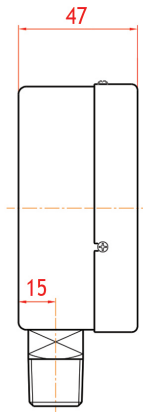
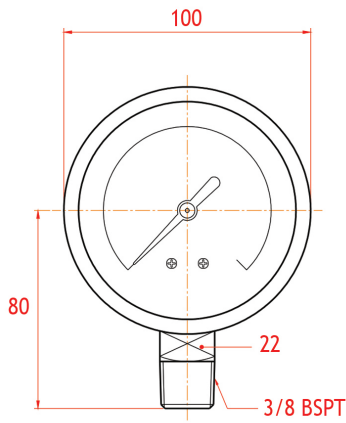
Direct mount Rear entry



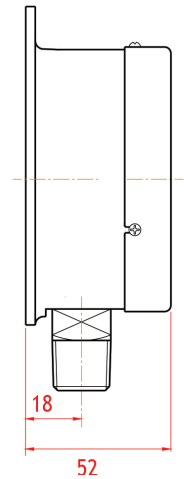
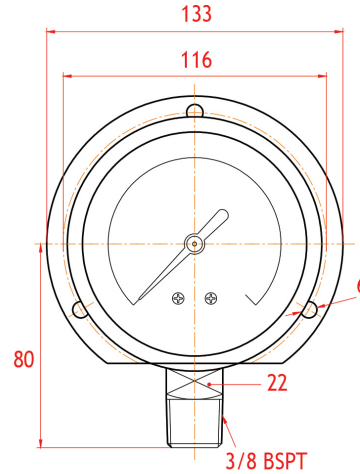
* All measurements are in mm

Dimensional Data 100mm

Direct mount Bottom entry

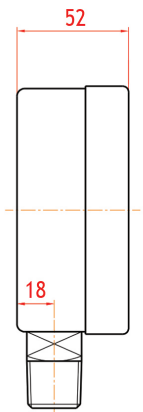
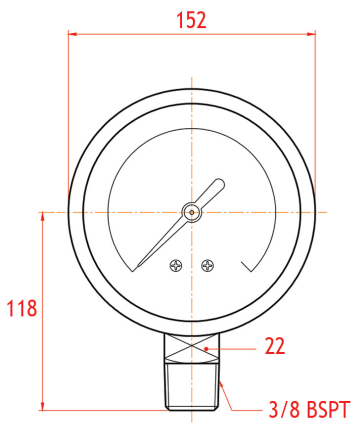


Surface mount Bottom entry

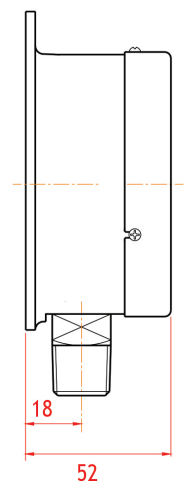
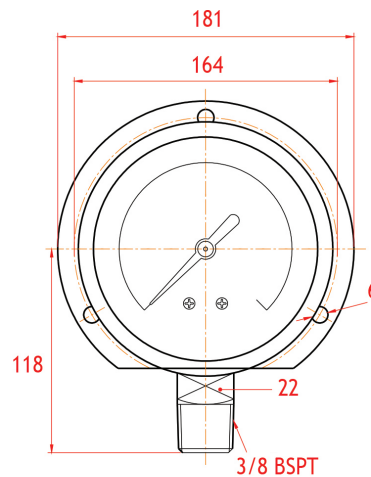


Dimensional Data 150mm

Direct mount Bottom entry



Surface mount Bottom entry



* All measurements are in mm