

NATURAL GAS FILTERS

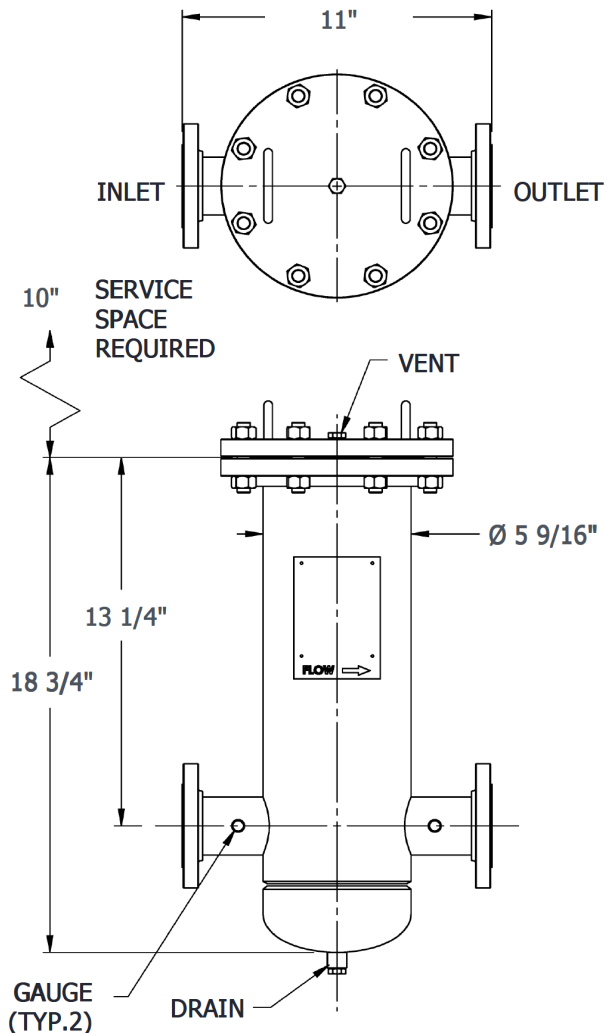
2" 150# Fabricated Carbon Steel



Graver Technologies

NATURAL GAS FILTERS | GRAVER TECHNOLOGIES | 1-800-321-4789 | GRAVERTECH.COM

NG-001



**DESIGNED, CONSTRUCTED, AND STAMPED
TO
ASME SECTION VIII, DIVISION I**



Made with Pride in the USA

Model Number: CPH-115-020FL/1309-U

Design Pressure: 285 PSIG

Design Temperature: -20 to 100 Degree F

Closure Type: Flange (Swing Bolt or Quick Open Avail.)

Construction Material: SA-105N

Stud / Nuts Material: SA193-B7, SA194-2H Zinc Plated

Paint: Zinc-Rich Epoxy / Siloxane

Hydrostatic Test: 370 PSIG

Radiography: Available

Net Weight: 65 lbs

Supporting Legs: Recommended

ASME Code Stamped: YES

SCHEDULE OF OPENINGS

Closure: 5"-150# RFSO

Inlet: 2"-150# RFSO

Outlet: 2"-150# RFSO

Gauge: 1/4"-3000# NPT Half Coupling, with Plug

Drain: 1/2"-3000# NPT, with Plug

Vent: 1/2" NPT, with Plug

ELEMENT & GASKET

Part Number: 13069-K-709

Efficiency: 5 Micron @ 98%

Media Material: Polyester

Structure Material: Carbon Steel

Collapse Rating: 25 PSID

Number of Element: One

Closure Gasket P/N: 6110PSO

Change Out DP: 8 PSID (Recommended)

NATURAL GAS FILTERS

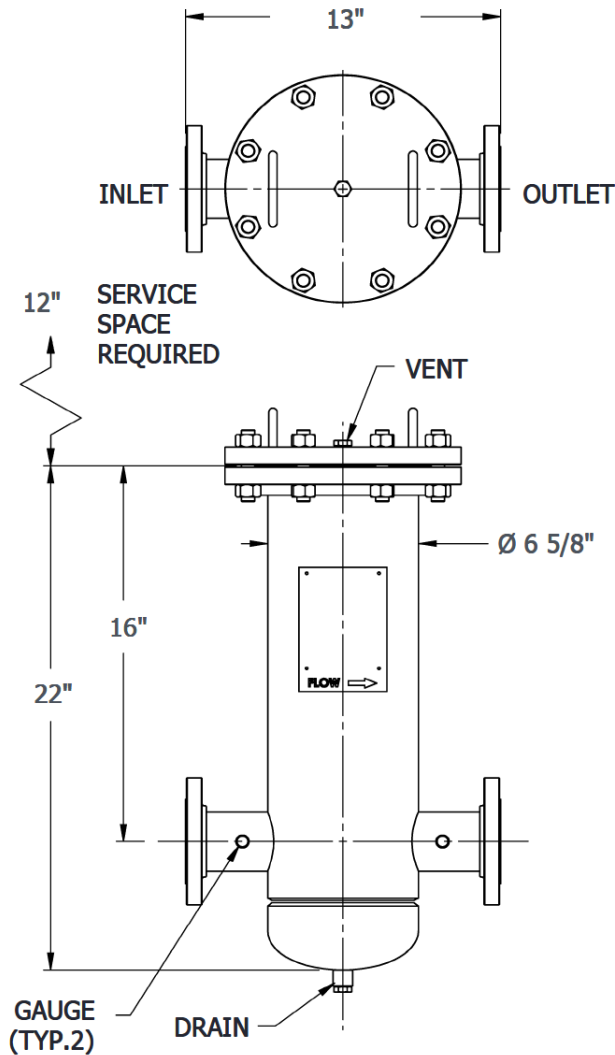
2" 150# Fabricated Carbon Steel - High Contaminate Loading



Graver Technologies

NATURAL GAS FILTERS | GRAVER TECHNOLOGIES | 1-800-321-4789 | GRAVERTECH.COM

NG-001



**DESIGNED, CONSTRUCTED, AND STAMPED
TO
ASME SECTION VIII, DIVISION I**



Made with Pride in the USA

Model Number: CPH-120-020FL/1310-U

Design Pressure: 285 PSIG

Design Temperature: -20 to 100 Degree F

Closure Type: Flange (Swing Bolt or Quick Open Avail.)

Construction Material: SA-105N

Stud / Nuts Material: SA193-B7, SA194-2H Zinc Plated

Paint: Zinc-Rich Epoxy / Siloxane

Hydrostatic Test: 370 PSIG

Radiography: Available

Net Weight: 100 lbs

Supporting Legs: Recommended

ASME Code Stamped: YES

SCHEDULE OF OPENINGS

Closure: 6"-150# RFSO

Inlet: 2"-150# RFSO

Outlet: 2"-150# RFSO

Gauge: 1/4"-3000# NPT Half Coupling, with Plug

Drain: 1/2"-3000# NPT, with Plug

Vent: 1/2" NPT, with Plug

ELEMENT & GASKET

Part Number: 16167-K-709

Efficiency: 5 Micron @ 98%

Media Material: Polyester

Structure Material: Carbon Steel

Collapse Rating: 25 PSID

Number of Element: One

Closure Gasket P/N: 6016PSO

Change Out DP: 8 PSID (Recommended)

NATURAL GAS FILTERS

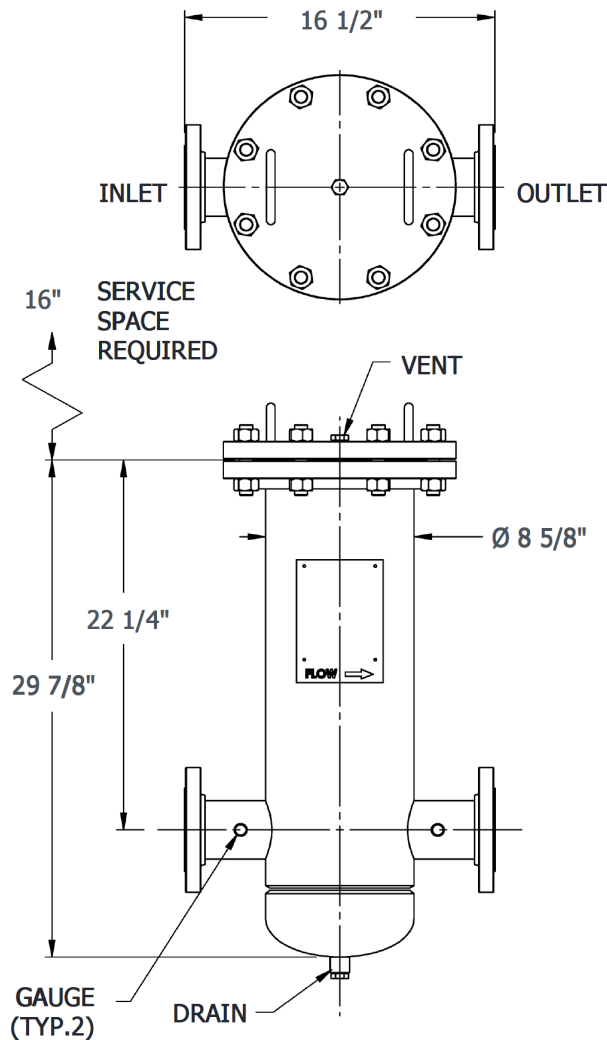
3" 150# Fabricated Carbon Steel



Graver Technologies

NATURAL GAS FILTERS | GRAVER TECHNOLOGIES | 1-800-321-4789 | GRAVERTECH.COM

NG-001



**DESIGNED, CONSTRUCTED, AND STAMPED
TO
ASME SECTION VIII, DIVISION I**



Made with Pride in the USA

Model Number: CPH-140-030FL/1311-U

Design Pressure: 285 PSIG

Design Temperature: -20 to 100 Degree F

Closure Type: Flange (Swing Bolt or Quick Open Avail.)

Construction Material: SA-105N

Stud / Nuts Material: SA193-B7, SA194-2H Zinc Plated

Paint: Zinc-Rich Epoxy / Siloxane

Hydrostatic Test: 370 PSIG

Radiography: Available

Net Weight: 195 lbs

Supporting Legs: Recommended

ASME Code Stamped: YES

SCHEDULE OF OPENINGS

Closure: 8"-150# RFSO

Inlet: 3"-150# RFSO

Outlet: 3"-150# RFSO

Gauge: 1/4"-3000# NPT Half Coupling, with Plug

Drain: 1/2"-3000# NPT, with Plug

Vent: 1/2" NPT, with Plug

ELEMENT & GASKET

Part Number: 19808-K-709

Efficiency: 5 Micron @ 98%

Media Material: Polyester

Structure Material: Carbon Steel

Collapse Rating: 25 PSID

Number of Element: One

Closure Gasket P/N: 6017PSO

Change Out DP: 8 PSID (Recommended)

NATURAL GAS FILTERS

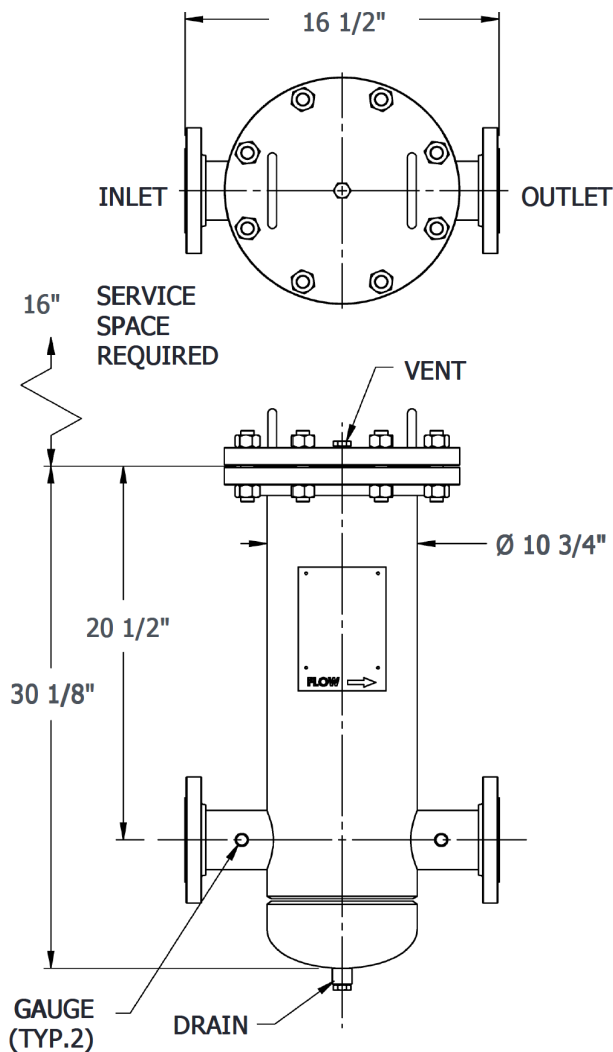
4" 150# Fabricated Carbon Steel



Graver Technologies

NATURAL GAS FILTERS | GRAVER TECHNOLOGIES | 1-800-321-4789 | GRAVERTECH.COM

NG-001



**DESIGNED, CONSTRUCTED, AND STAMPED
TO
ASME SECTION VIII, DIVISION I**



Made with Pride in the USA

Model Number: CPH-150-040FL/1312-U

Design Pressure: 285 PSIG

Design Temperature: -20 to 100 Degree F

Closure Type: Flange (Swing Bolt or Quick Open Avail.)

Construction Material: SA-105N

Stud / Nuts Material: SA193-B7, SA194-2H Zinc Plated

Paint: Zinc-Rich Epoxy / Siloxane

Hydrostatic Test: 370 PSIG

Radiography: Available

Net Weight: 280 lbs

Supporting Legs: Recommended

ASME Code Stamped: YES

SCHEDULE OF OPENINGS

Closure: 10"-150# RFSO

Inlet: 4"-150# RFSO

Outlet: 4"-150# RFSO

Gauge: 1/4"-3000# NPT Half Coupling, with Plug

Drain: 1/2"-3000# NPT, with Plug

Vent: 1/2" NPT, with Plug

ELEMENT & GASKET

Part Number: 10744-K-709

Efficiency: 5 Micron @ 98%

Media Material: Polyester

Structure Material: Carbon Steel

Collapse Rating: 25 PSID

Number of Element: One

Closure Gasket P/N: 6018PSO

Change Out DP: 8 PSID (Recommended)

NATURAL GAS FILTERS

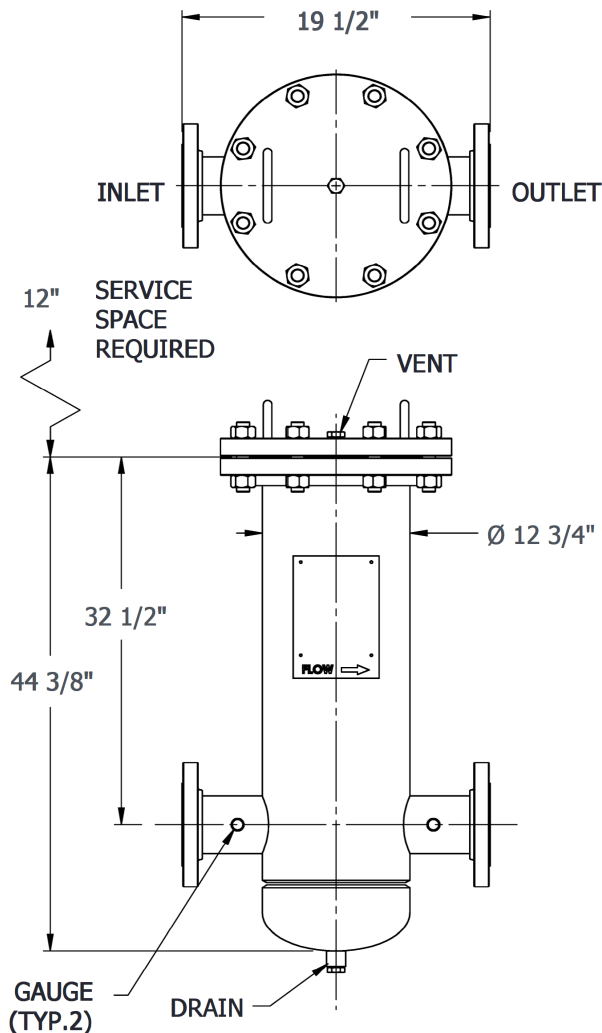
6" 150# Fabricated Carbon Steel



Graver Technologies

NATURAL GAS FILTERS | GRAVER TECHNOLOGIES | 1-800-321-4789 | GRAVERTECH.COM

NG-001



**DESIGNED, CONSTRUCTED, AND STAMPED
TO
ASME SECTION VIII, DIVISION I**



Made with Pride in the USA

Model Number: CPH-160-060FL/1313-U

Design Pressure: 285 PSIG

Design Temperature: -20 to 100 Degree F

Closure Type: Flange (Swing Bolt or Quick Open Avail.)

Construction Material: SA-105N

Stud / Nuts Material: SA193-B7, SA194-2H Zinc Plated

Paint: Zinc-Rich Epoxy / Siloxane

Hydrostatic Test: 370 PSIG

Radiography: Available

Net Weight: 390 lbs

Supporting Legs: Recommended

ASME Code Stamped: YES

SCHEDULE OF OPENINGS

Closure: 12"-150# RFSO

Inlet: 6"-150# RFSO

Outlet: 6"-150# RFSO

Gauge: 1/4"-3000# NPT Half Coupling, with Plug

Drain: 1/2"-3000# NPT, with Plug

Vent: 1/2" NPT, with Plug

ELEMENT & GASKET

Part Number: 20211-K-709

Efficiency: 5 Micron @ 98%

Media Material: Polyester

Structure Material: Carbon Steel

Collapse Rating: 25 PSID

Number of Element: Two

Closure Gasket P/N: 6019PSO

Change Out DP: 8 PSID (Recommended)

NATURAL GAS FILTERS

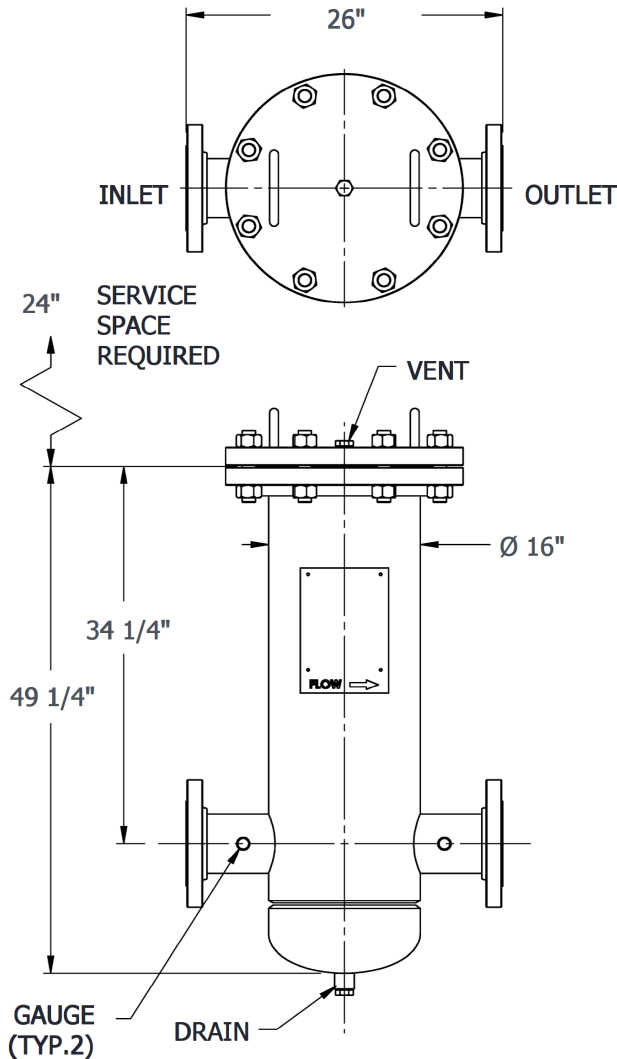
8" 150# Fabricated Carbon Steel



Graver Technologies

NATURAL GAS FILTERS | GRAVER TECHNOLOGIES | 1-800-321-4789 | GRAVERTECH.COM

NG-001



**DESIGNED, CONSTRUCTED, AND STAMPED
TO
ASME SECTION VIII, DIVISION I**



Made with Pride in the USA

Model Number: CPH-180-080FL/1314-U

Design Pressure: 285 PSIG

Design Temperature: -20 to 100 Degree F

Closure Type: Flange (Swing Bolt or Quick Open Avail.)

Construction Material: SA-105N

Stud / Nuts Material: SA193-B7, SA194-2H Zinc Plated

Paint: Zinc-Rich Epoxy / Siloxane

Hydrostatic Test: 370 PSIG

Radiography: Available

Net Weight: 925 lbs

Supporting Legs: Recommended

ASME Code Stamped: YES

SCHEDULE OF OPENINGS

Closure: 16"-150# RFSO

Inlet: 8"-150# RFSO

Outlet: 8"-150# RFSO

Gauge: 1/4"-3000# NPT Half Coupling, with Plug

Drain: 1/2"-3000# NPT, with Plug

Vent: 1/2" NPT, with Plug

ELEMENT & GASKET

Part Number: 25634-K-709

Efficiency: 5 Micron @ 98%

Media Material: Polyester

Structure Material: Carbon Steel

Collapse Rating: 25 PSID

Number of Element: One

Closure Gasket P/N: 6039PSO

Change Out DP: 8 PSID (Recommended)



Natural Gas Filter Flow Rate Capability Charts

Capacity (SCFM) vs. Differential Pressure (PSI)

Natural Gas at 60° F

Inlet Pressure	Model	PSI ΔP				
		0.25	0.5	1	2	3
50 PSIG	CPH-115-020FL	390	550	790	1120	1370
	CPH-120-020FL	400	560	800	1130	1380
	CPH-140-030FL	910	1290	1830	2590	3180
	CPH-150-040FL	1580	2250	3200	4500	5500
	CPH-160-060FL	3770	5360	7600	10800	13200
	CPH-180-080FL	6860	9800	13800	19600	24000
100 PSIG	CPH-115-020FL	525	740	1050	1490	1830
	CPH-120-020FL	530	750	1060	1500	1840
	CPH-140-030FL	1215	1720	2440	3450	4230
	CPH-150-040FL	2100	3000	4250	6000	7300
	CPH-160-060FL	5050	7200	10200	14400	17700
	CPH-180-080FL	9200	13000	18500	21600	26200
150 PSIG	CPH-115-020FL	630	890	1260	1790	2190
	CPH-120-020FL	635	895	1270	1800	2200
	CPH-140-030FL	1460	2060	2920	4140	5070
	CPH-150-040FL	2500	3600	5100	7200	8800
	CPH-160-060FL	6100	8600	12200	17300	21100
	CPH-180-080FL	11000	15600	22500	31400	38500
200 PSIG	CPH-115-020FL	715	1020	1450	2040	2500
	CPH-120-020FL	725	1030	1450	2050	2510
	CPH-140-030FL	1665	2360	3340	4700	5800
	CPH-150-040FL	2880	4100	5800	8200	10000
	CPH-160-060FL	6900	9800	14000	19700	24200
	CPH-180-080FL	12600	17900	25500	36000	44000
250 PSIG	CPH-115-020FL	790	1130	1600	2280	2780
	CPH-120-020FL	800	1140	1610	2300	2800
	CPH-140-030FL	1850	2620	3700	5250	6430
	CPH-150-040FL	3200	4500	6400	9100	11200
	CPH-160-060FL	7700	10900	15500	21900	26800
	CPH-180-080FL	14000	20000	28000	40000	48800

* Values are based on actual test data or empirical calculations.

NATURAL GAS FILTERS

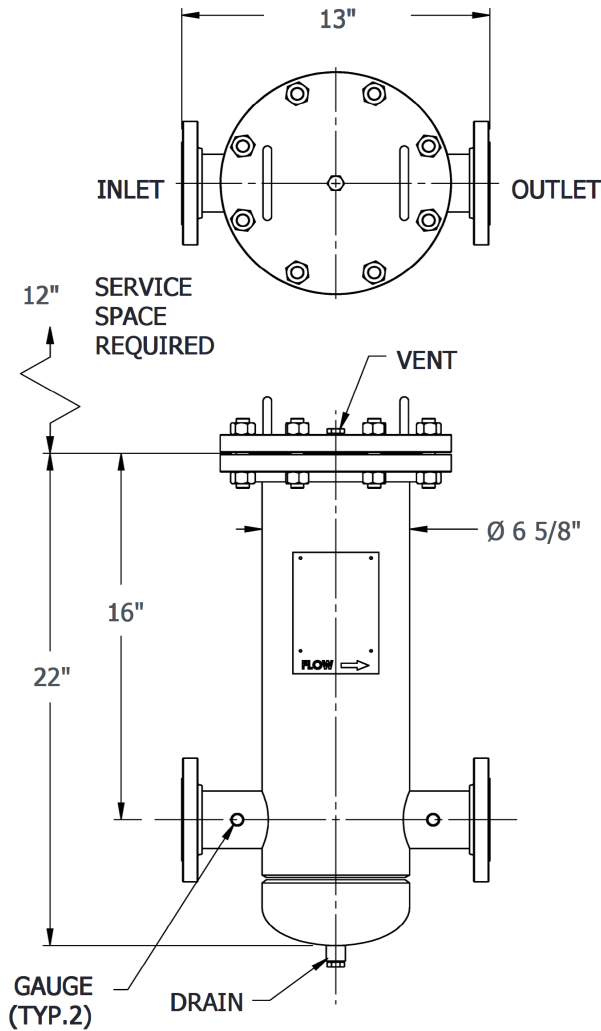
2" 300# Fabricated Carbon Steel



Graver Technologies

NATURAL GAS FILTERS | GRAVER TECHNOLOGIES | 1-800-321-4789 | GRAVERTECH.COM

NG-001



**DESIGNED, CONSTRUCTED, AND STAMPED
TO
ASME SECTION VIII, DIVISION I**



Made with Pride in the USA

Model Number: CPHH-120-020FL/1315-U

Design Pressure: 740 PSIG

Design Temperature: -20 to 100 Degree F

Closure Type: Flange (Swing Bolt or Quick Open Avail.)

Construction Material: SA-105N

Stud / Nuts Material: SA193-B7, SA194-2H Zinc Plated

Paint: Zinc-Rich Epoxy / Siloxane

Hydrostatic Test: 965 PSIG

Radiography: Available

Net Weight: 110 lbs

Supporting Legs: Recommended

ASME Code Stamped: YES

SCHEDULE OF OPENINGS

Closure: 6"-300# RFSO

Inlet: 2"-300# RFSO

Outlet: 2"-300# RFSO

Gauge: 1/4"-3000# NPT Half Coupling, with Plug

Drain: 1/2"-3000# NPT, with Plug

Vent: 1/2" NPT, with Plug

ELEMENT & GASKET

Part Number: 16167-K-709

Efficiency: 5 Micron @ 98%

Media Material: Polyester

Structure Material: Carbon Steel

Collapse Rating: 25 PSID

Number of Element: One

Closure Gasket P/N: 6035PSO

Change Out DP: 8 PSID (Recommended)

NATURAL GAS FILTERS

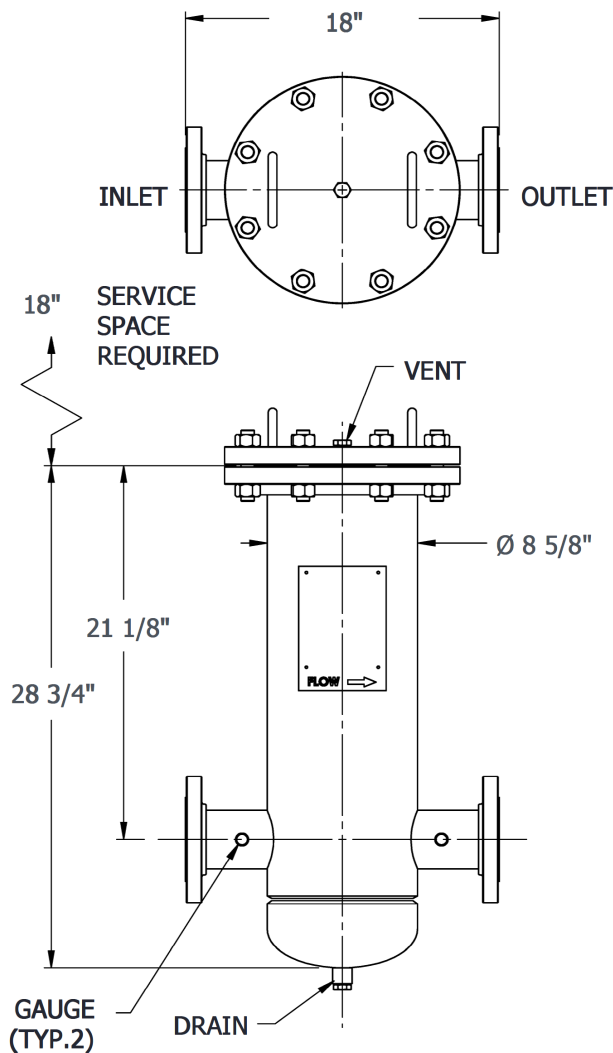
3" 300# Fabricated Carbon Steel



Graver Technologies

NATURAL GAS FILTERS | GRAVER TECHNOLOGIES | 1-800-321-4789 | GRAVERTECH.COM

NG-001



**DESIGNED, CONSTRUCTED, AND STAMPED
TO
ASME SECTION VIII, DIVISION I**



Made with Pride in the USA

Model Number: CPHH-140-030FL/1316-U

Design Pressure: 740 PSIG

Design Temperature: -20 to 100 Degree F

Closure Type: Flange (Swing Bolt or Quick Open Avail.)

Construction Material: SA-105N

Stud / Nuts Material: SA193-B7, SA194-2H Zinc Plated

Paint: Zinc-Rich Epoxy / Siloxane

Hydrostatic Test: 965 PSIG

Radiography: Available

Net Weight: 220 lbs

Supporting Legs: Recommended

ASME Code Stamped: YES

SCHEDULE OF OPENINGS

Closure: 8"-300# RFSO

Inlet: 3"-300# RFSO

Outlet: 3"-300# RFSO

Gauge: 1/4"-3000# NPT Half Coupling, with Plug

Drain: 1/2"-3000# NPT, with Plug

Vent: 1/2" NPT, with Plug

ELEMENT & GASKET

Part Number: 19808-K-709

Efficiency: 5 Micron @ 98%

Media Material: Polyester

Structure Material: Carbon Steel

Collapse Rating: 25 PSID

Number of Element: One

Closure Gasket P/N: 6036PSO

Change Out DP: 8 PSID (Recommended)

NATURAL GAS FILTERS

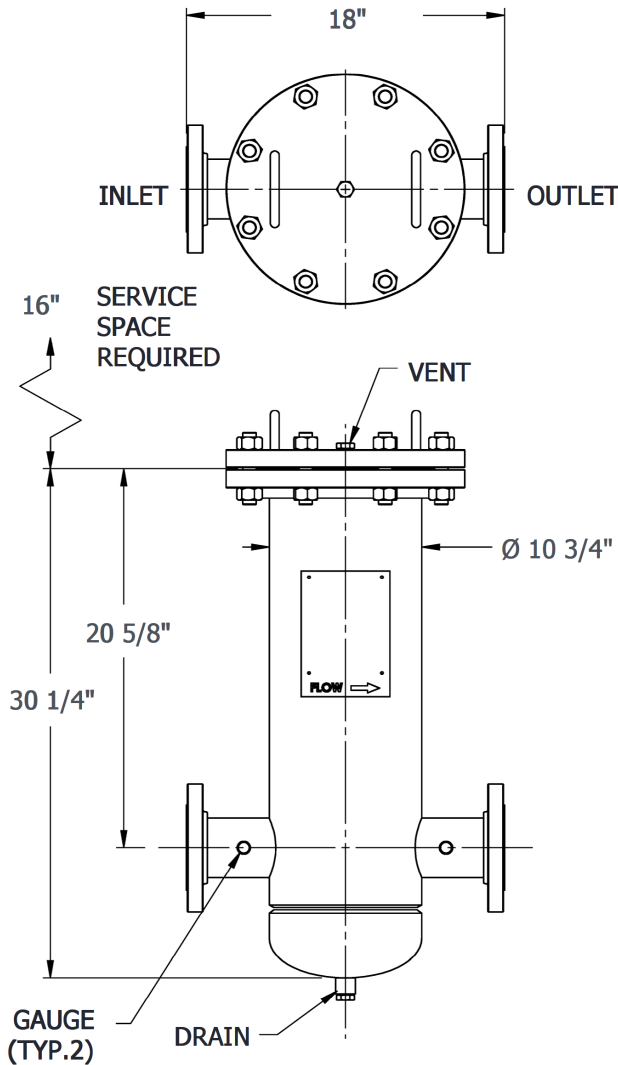
4" 300# Fabricated Carbon Steel



Graver Technologies

NATURAL GAS FILTERS | GRAVER TECHNOLOGIES | 1-800-321-4789 | GRAVERTECH.COM

NG-001



**DESIGNED, CONSTRUCTED, AND STAMPED
TO
ASME SECTION VIII, DIVISION I**



Made with Pride in the USA

Model Number: CPHH-150-040FL/1317-U

Design Pressure: 740 PSIG

Design Temperature: -20 to 100 Degree F

Closure Type: Flange (Swing Bolt or Quick Open Avail.)

Construction Material: SA-105N

Stud / Nuts Material: SA193-B7, SA194-2H Zinc Plated

Paint: Zinc-Rich Epoxy / Siloxane

Hydrostatic Test: 965 PSIG

Radiography: Available

Net Weight: 300 lbs

Supporting Legs: Recommended

ASME Code Stamped: YES

SCHEDULE OF OPENINGS

Closure: 10"-300# RFSO

Inlet: 4"-300# RFSO

Outlet: 4"-300# RFSO

Gauge: 1/4"-3000# NPT Half Coupling, with Plug

Drain: 1/2"-3000# NPT, with Plug

Vent: 1/2" NPT, with Plug

ELEMENT & GASKET

Part Number: 10744-K-709

Efficiency: 5 Micron @ 98%

Media Material: Polyester

Structure Material: Carbon Steel

Collapse Rating: 25 PSID

Number of Element: One

Closure Gasket P/N: 6037PSO

Change Out DP: 8 PSID (Recommended)

NATURAL GAS FILTERS

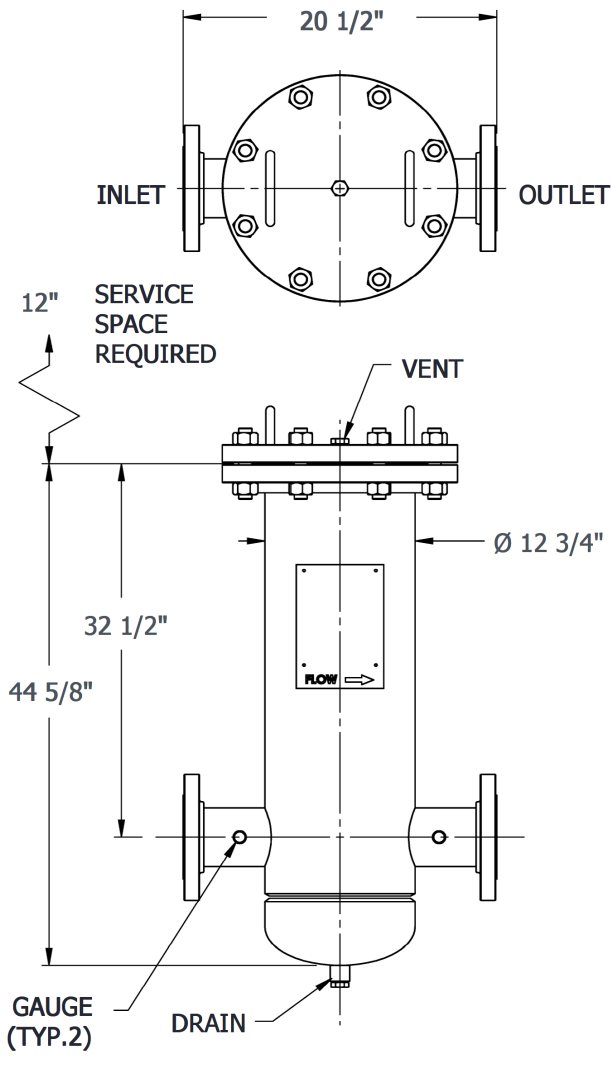
6" 300# Fabricated Carbon Steel



Graver Technologies

NATURAL GAS FILTERS | GRAVER TECHNOLOGIES | 1-800-321-4789 | GRAVERTECH.COM

NG-001



**DESIGNED, CONSTRUCTED, AND STAMPED
TO
ASME SECTION VIII, DIVISION I**



Made with Pride in the USA

Model Number: CPHH-160-060FL/1318-U

Design Pressure: 740 PSIG

Design Temperature: -20 to 100 Degree F

Closure Type: Flange (Swing Bolt or Quick Open Avail.)

Construction Material: SA-105N

Stud / Nuts Material: SA193-B7, SA194-2H Zinc Plated

Paint: Zinc-Rich Epoxy / Siloxane

Hydrostatic Test: 965 PSIG

Radiography: Available

Net Weight: 525 lbs

Supporting Legs: Recommended

ASME Code Stamped: YES

SCHEDULE OF OPENINGS

Closure: 12"-300# RFSO

Inlet: 6"-300# RFSO

Outlet: 6"-300# RFSO

Gauge: 1/4"-3000# NPT Half Coupling, with Plug

Drain: 1/2"-3000# NPT, with Plug

Vent: 1/2" NPT, with Plug

ELEMENT & GASKET

Part Number: 20211-K-709

Efficiency: 5 Micron @ 98%

Media Material: Polyester

Structure Material: Carbon Steel

Collapse Rating: 25 PSID

Number of Element: Two

Closure Gasket P/N: 6038PSO

Change Out DP: 8 PSID (Recommended)

NATURAL GAS FILTERS

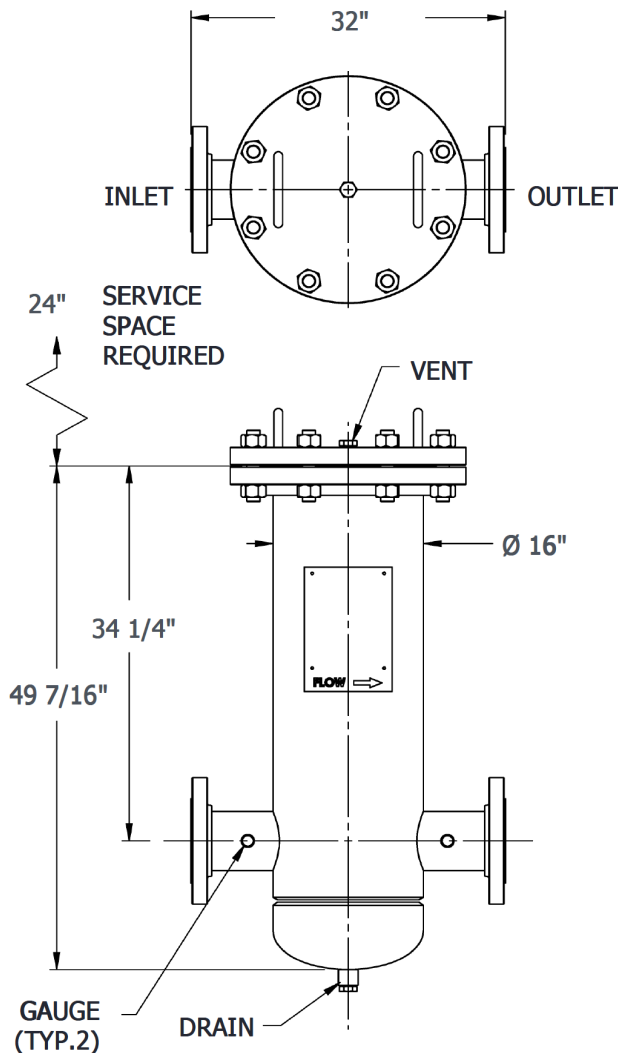
8" 300# Fabricated Carbon Steel



Graver Technologies

NATURAL GAS FILTERS | GRAVER TECHNOLOGIES | 1-800-321-4789 | GRAVERTECH.COM

NG-001



**DESIGNED, CONSTRUCTED, AND STAMPED
TO
ASME SECTION VIII, DIVISION I**



Made with Pride in the USA

Model Number: CPHH-180-080FL/1319-U

Design Pressure: 740 PSIG

Design Temperature: -20 to 100 Degree F

Closure Type: Flange (Swing Bolt or Quick Open Avail.)

Construction Material: SA-105N

Stud / Nuts Material: SA193-B7, SA194-2H Zinc Plated

Paint: Zinc-Rich Epoxy / Siloxane

Hydrostatic Test: 965 PSIG

Radiography: Available

Net Weight: 1185 lbs

Supporting Legs: Recommended

ASME Code Stamped: YES

SCHEDULE OF OPENINGS

Closure: 16"-300# RFSO

Inlet: 8"-300# RFSO

Outlet: 8"-300# RFSO

Gauge: 1/4"-3000# NPT Half Coupling, with Plug

Drain: 1/2"-3000# NPT, with Plug

Vent: 1/2" NPT, with Plug

ELEMENT & GASKET

Part Number: 25634-K-709

Efficiency: 5 Micron @ 98%

Media Material: Polyester

Structure Material: Carbon Steel

Collapse Rating: 25 PSID

Number of Element: One

Closure Gasket P/N: 6039PSO

Change Out DP: 8 PSID (Recommended)



Natural Gas Filter Flow Rate Capability Charts

Capacity (SCFM) vs. Differential Pressure (PSI)

Natural Gas at 60° F

Inlet Pressure	Model	PSI ΔP			
		0.5	1	2	3
300 PSIG	CPHH-120-020FL	1240	1750	2500	3050
	CPHH-140-030FL	2850	4050	5720	7000
	CPHH-150-040FL	4950	7000	9920	12150
	CPHH-160-060FL	10460	14800	21000	25700
	CPHH-180-080FL	19400	27400	38800	47500
400 PSIG	CPHH-120-020FL	1420	2020	2850	3500
	CPHH-140-030FL	3280	4650	6570	8050
	CPHH-150-040FL	5700	8050	11400	13950
	CPHH-160-060FL	12000	17000	24100	29600
	CPHH-180-080FL	22200	31400	44500	54500
500 PSIG	CPHH-120-020FL	1580	2250	3200	3900
	CPHH-140-030FL	3650	5170	7300	8960
	CPHH-150-040FL	6300	8970	12700	15500
	CPHH-160-060FL	13400	19000	26900	33000
	CPHH-180-080FL	24700	35000	49600	60800
600 PSIG	CPHH-120-020FL	1730	2450	3500	4250
	CPHH-140-030FL	4000	5650	8000	9800
	CPHH-150-040FL	6900	9800	13900	17000
	CPHH-160-060FL	14700	20800	29400	36000
	CPHH-180-080FL	27000	38300	54200	66400
740 PSIG	CPHH-120-020FL	1920	2730	3850	4700
	CPHH-140-030FL	4430	6260	8860	10860
	CPHH-150-040FL	7700	10900	15400	18800
	CPHH-160-060FL	16250	23000	32600	40000
	CPHH-180-080FL	30000	42400	60000	73600

* Values are based on actual test data or empirical calculations.

NATURAL GAS FILTERS

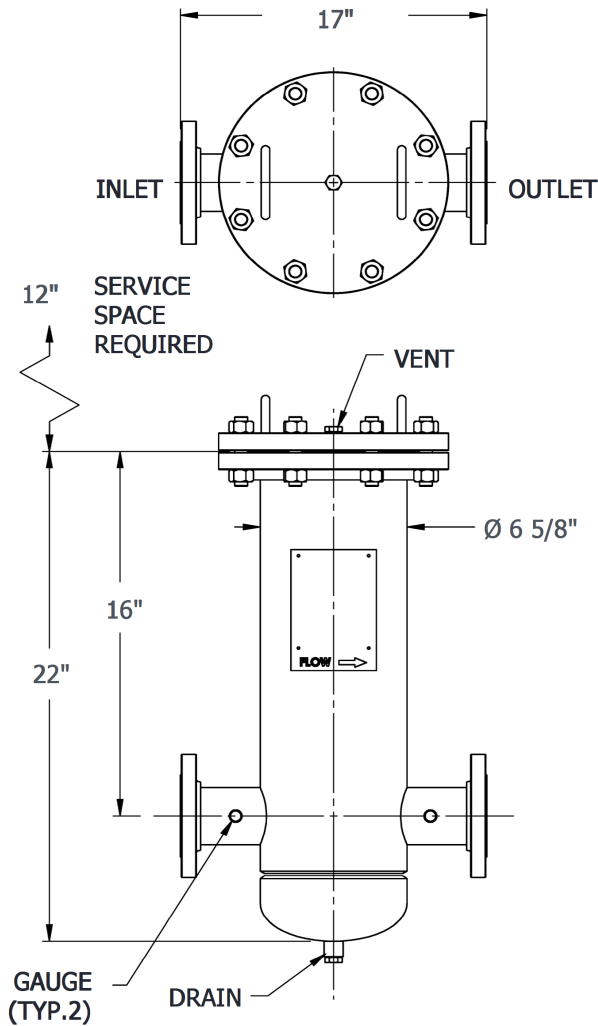
2" 600# Fabricated Carbon Steel



Graver Technologies

NATURAL GAS FILTERS | GRAVER TECHNOLOGIES | 1-800-321-4789 | GRAVERTECH.COM

NG-001



**DESIGNED, CONSTRUCTED, AND STAMPED
TO
ASME SECTION VIII, DIVISION I**



Made with Pride in the USA

Model Number: CP4H-120-020FL/1320-U

Design Pressure: 1480 PSIG

Design Temperature: -20 to 100 Degree F

Closure Type: Flange (Swing Bolt or Quick Open Avail.)

Construction Material: SA-105N

Stud / Nuts Material: SA193-B7, SA194-2H Zinc Plated

Paint: Zinc-Rich Epoxy / Siloxane

Hydrostatic Test: 1925 PSIG

Radiography: Available

Net Weight: 120 lbs

Supporting Legs: Recommended

ASME Code Stamped: YES

SCHEDULE OF OPENINGS

Closure: 6"-600# RFSO

Inlet: 2"-600# RFSO

Outlet: 2"-600# RFSO

Gauge: 1/4"-3000# NPT Half Coupling, with Plug

Drain: 1/2"-3000# NPT, with Plug

Vent: 1/2" NPT, with Plug

ELEMENT & GASKET

Part Number: 16167-K-709

Efficiency: 5 Micron @ 98%

Media Material: Polyester

Structure Material: Carbon Steel

Collapse Rating: 25 PSID

Number of Element: One

Closure Gasket P/N: 6051PSO

Change Out DP: 8 PSID (Recommended)

NATURAL GAS FILTERS

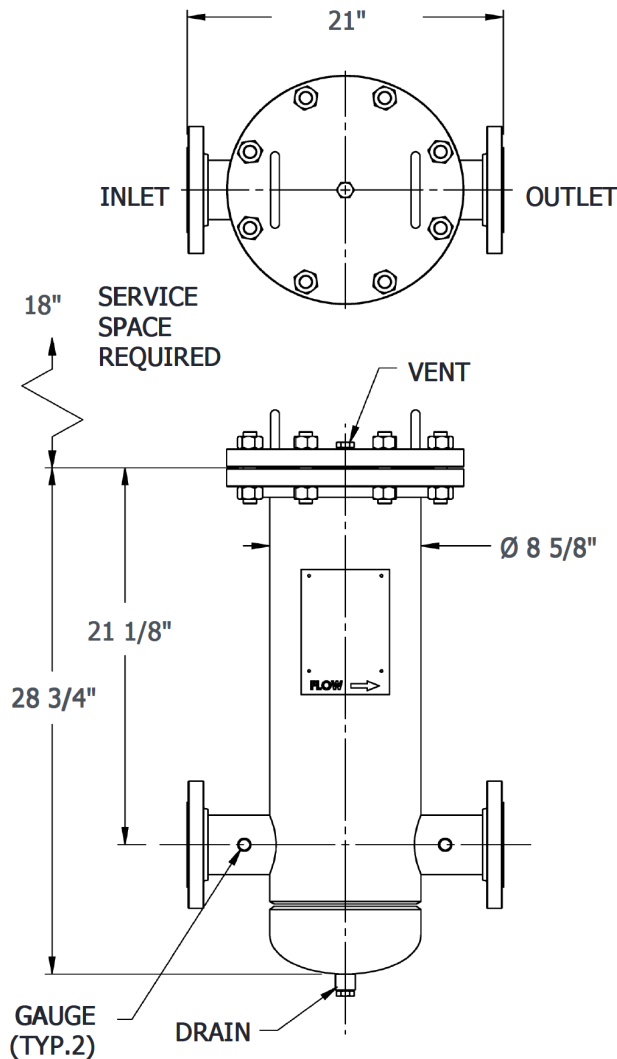
3" 600# Fabricated Carbon Steel



Graver Technologies

NATURAL GAS FILTERS | GRAVER TECHNOLOGIES | 1-800-321-4789 | GRAVERTECH.COM

NG-001



**DESIGNED, CONSTRUCTED, AND STAMPED
TO
ASME SECTION VIII, DIVISION I**



Made with Pride in the USA

Model Number: CP4H-140-030FL/1321-U

Design Pressure: 1480 PSIG

Design Temperature: -20 to 100 Degree F

Closure Type: Flange (Swing Bolt or Quick Open Avail.)

Construction Material: SA-105N

Stud / Nuts Material: SA193-B7, SA194-2H Zinc Plated

Paint: Zinc-Rich Epoxy / Siloxane

Hydrostatic Test: 1925 PSIG

Radiography: Available

Net Weight: 240 lbs

Supporting Legs: Recommended

ASME Code Stamped: YES

SCHEDULE OF OPENINGS

Closure: 8"-600# RFSO

Inlet: 3"-600# RFSO

Outlet: 3"-600# RFSO

Gauge: 1/4"-3000# NPT Half Coupling, with Plug

Drain: 1/2"-3000# NPT, with Plug

Vent: 1/2" NPT, with Plug

ELEMENT & GASKET

Part Number: 19808-K-709

Efficiency: 5 Micron @ 98%

Media Material: Polyester

Structure Material: Carbon Steel

Collapse Rating: 25 PSID

Number of Element: One

Closure Gasket P/N: 6052PSO

Change Out DP: 8 PSID (Recommended)

NATURAL GAS FILTERS

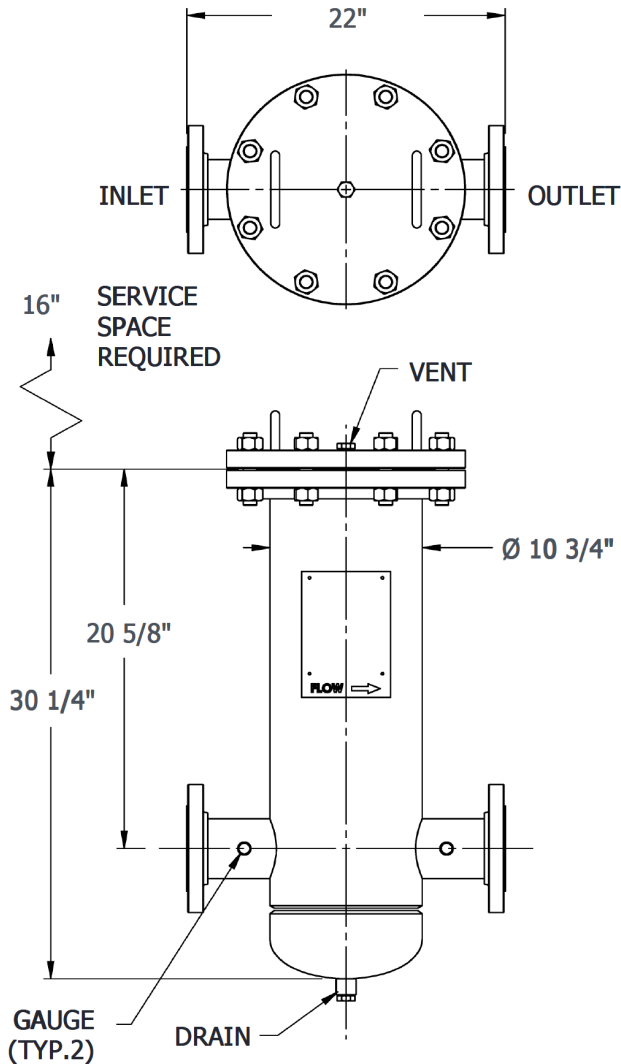
4" 600# Fabricated Carbon Steel



Graver Technologies

NATURAL GAS FILTERS | GRAVER TECHNOLOGIES | 1-800-321-4789 | GRAVERTECH.COM

NG-001



**DESIGNED, CONSTRUCTED, AND STAMPED
TO
ASME SECTION VIII, DIVISION I**



Made with Pride in the USA

Model Number: CP4H-150-040FL/1322-U

Design Pressure: 1480 PSIG

Design Temperature: -20 to 100 Degree F

Closure Type: Flange (Swing Bolt or Quick Open Avail.)

Construction Material: SA-105N

Stud / Nuts Material: SA193-B7, SA194-2H Zinc Plated

Paint: Zinc-Rich Epoxy / Siloxane

Hydrostatic Test: 1925 PSIG

Radiography: Available

Net Weight: 400 lbs

Supporting Legs: Recommended

ASME Code Stamped: YES

SCHEDULE OF OPENINGS

Closure: 10"-600# RFSO

Inlet: 4"-600# RFSO

Outlet: 4"-600# RFSO

Gauge: 1/4"-3000# NPT Half Coupling, with Plug

Drain: 1/2"-3000# NPT, with Plug

Vent: 1/2" NPT, with Plug

ELEMENT & GASKET

Part Number: 10744-K-709

Efficiency: 5 Micron @ 98%

Media Material: Polyester

Structure Material: Carbon Steel

Collapse Rating: 25 PSID

Number of Element: One

Closure Gasket P/N: 6053PSO

Change Out DP: 8 PSID (Recommended)

NATURAL GAS FILTERS

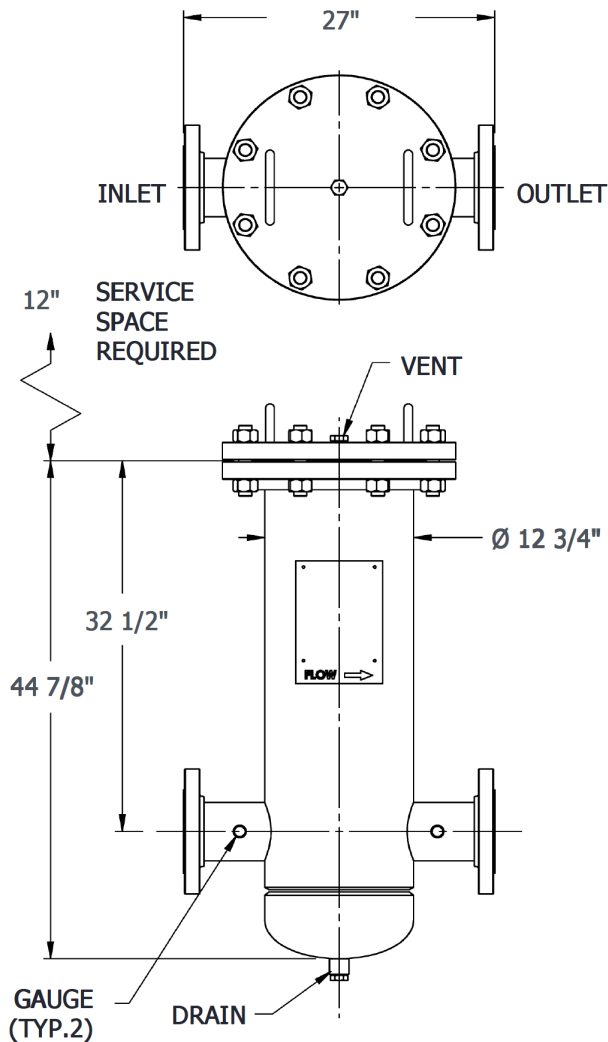
6" 600# Fabricated Carbon Steel



Graver Technologies

NATURAL GAS FILTERS | GRAVER TECHNOLOGIES | 1-800-321-4789 | GRAVERTECH.COM

NG-001



**DESIGNED, CONSTRUCTED, AND STAMPED
TO
ASME SECTION VIII, DIVISION I**



Made with Pride in the USA

Model Number: CP4H-160-060FL/1323-U

Design Pressure: 1480 PSIG

Design Temperature: -20 to 100 Degree F

Closure Type: Flange (Swing Bolt or Quick Open Avail.)

Construction Material: SA-105N

Stud / Nuts Material: SA193-B7, SA194-2H Zinc Plated

Paint: Zinc-Rich Epoxy / Siloxane

Hydrostatic Test: 1925 PSIG

Radiography: Available

Net Weight: 725 lbs

Supporting Legs: Recommended

ASME Code Stamped: YES

SCHEDULE OF OPENINGS

Closure: 12"-600# RFSO

Inlet: 6"-600# RFSO

Outlet: 6"-600# RFSO

Gauge: 1/4"-3000# NPT Half Coupling, with Plug

Drain: 1/2"-3000# NPT, with Plug

Vent: 1/2" NPT, with Plug

ELEMENT & GASKET

Part Number: 20211-K-709

Efficiency: 5 Micron @ 98%

Media Material: Polyester

Structure Material: Carbon Steel

Collapse Rating: 25 PSID

Number of Element: Two

Closure Gasket P/N: 6054PSO

Change Out DP: 8 PSID (Recommended)

NATURAL GAS FILTERS

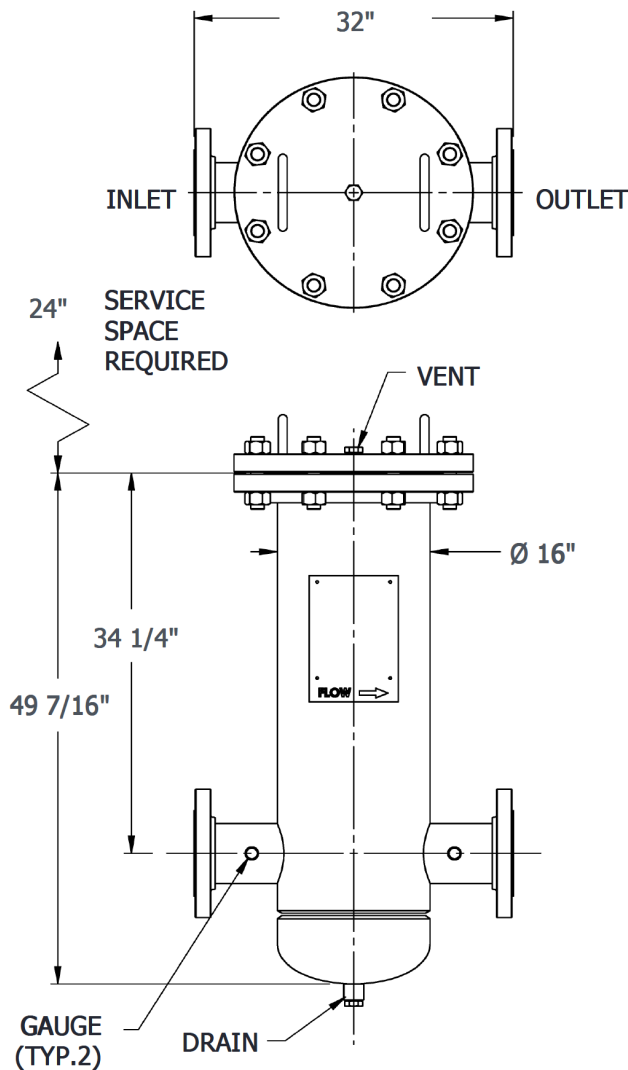
8" 600# Fabricated Carbon Steel



Graver Technologies

NATURAL GAS FILTERS | GRAVER TECHNOLOGIES | 1-800-321-4789 | GRAVERTECH.COM

NG-001



**DESIGNED, CONSTRUCTED, AND STAMPED
TO
ASME SECTION VIII, DIVISION I**



Made with Pride in the USA

Model Number: CP4H-180-080FL/1324-U

Design Pressure: 1480 PSIG

Design Temperature: -20 to 100 Degree F

Closure Type: Flange (Swing Bolt or Quick Open Avail.)

Construction Material: SA-105N

Stud / Nuts Material: SA193-B7, SA194-2H Zinc Plated

Paint: Zinc-Rich Epoxy / Siloxane

Hydrostatic Test: 1925 PSIG

Radiography: Available

Net Weight: 1285 lbs

Supporting Legs: Recommended

ASME Code Stamped: YES

SCHEDULE OF OPENINGS

Closure: 16"-600# RFSO

Inlet: 8"-600# RFSO

Outlet: 8"-600# RFSO

Gauge: 1/4"-3000# NPT Half Coupling, with Plug

Drain: 1/2"-3000# NPT, with Plug

Vent: 1/2" NPT, with Plug

ELEMENT & GASKET

Part Number: 25634-K-709

Efficiency: 5 Micron @ 98%

Media Material: Polyester

Structure Material: Carbon Steel

Collapse Rating: 25 PSID

Number of Element: One

Closure Gasket P/N: 6055PSO

Change Out DP: 8 PSID (Recommended)



Natural Gas Filter Flow Rate Capability Charts

Capacity (SCFM) vs. Differential Pressure (PSI)

Natural Gas at 60° F

Inlet Pressure	Model	PSI ΔP			
		0.5	1	2	3
800 PSIG	CP4H-120-020FL	1700	2400	3400	4200
	CP4H-140-030FL	4000	5650	8000	9800
	CP4H-150-040FL	7020	10000	14000	17250
	CP4H-160-060FL	16900	23900	33800	41500
	CP4H-180-080FL	31200	44100	62400	76500
1000 PSIG	CP4H-120-020FL	1900	2700	3800	4650
	CP4H-140-030FL	4460	6300	9000	11000
	CP4H-150-040FL	7900	11100	15700	19200
	CP4H-160-060FL	18900	26700	37800	46300
	CP4H-180-080FL	34800	49200	69700	85300
1200 PSIG	CP4H-120-020FL	2100	2950	4160	5100
	CP4H-140-030FL	4900	6900	9800	12000
	CP4H-150-040FL	8600	12200	17200	21000
	CP4H-160-060FL	20600	29200	41300	50600
	CP4H-180-080FL	38000	53900	76200	93400
1480 PSIG	CP4H-120-020FL	2300	3260	4600	5650
	CP4H-140-030FL	5400	7650	10800	13300
	CP4H-150-040FL	9500	13500	19000	23300
	CP4H-160-060FL	22900	32400	45900	56200
	CP4H-180-080FL	42200	59800	84600	103600

* Values are based on actual test data or empirical calculations.