

AUSTRALIA



# General Purpose Pressure Gauge

Our Full Stainless Steel Series of General Purpose Pressure Gauges

Offer superior quality & performance at an affordable price, designed & manufactured to minimize failure & to protect personnel & property



## Our range of General Purpose pressure gauges offers superior quality & performance at an affordable price

The ASG Series of General Purpose pressure gauges guarantees long life & durability for indoor, outdoor and harsh environmental conditions. The ASG range is designed & manufactured to minimize failure and to protect personnel and property, with an emphasis on maintaining quality and accuracy within a general purpose pressure gauge. With its full stainless steel construction the ASG range is ideal for resisting chemical, weather or corrosion effects, & can be supplied dry or liquid filled when protection is required against pulsation and or vibration.

Scales are offered in standard Dual scale kPa/psi units or can be supplied in psi, bar, kPa, MHW (meter head water) kg/cm<sup>2</sup>, Tons or other, custom dials are also available with red lines, coloured bands or sectors. Connections can also be offered other than the standard, details on request

### Features

- Supplied Dry or Liquid Filled
- Superior resistance to Shock
- Stainless Steel Case & Bezel
- Full Stainless Steel wetted parts
- Nominal sizes (mm) 63,100,150
- Can be combined with diaphragm seals
- IP65 Degree of protection
- Highly Accurate



### Applications

- Hydraulic & Pneumatic Systems
- Plant construction
- OEM Equipment
- Marine
- Power Generation
- Pumps & Compressors
- Food & Beverage
- Chemical/Petrochemical

### Specifications

#### Range

- -100 - 0 kPa to 0 - 40,000 kPa
- Dual scale as Standard
- Can supply with Other Scales, Custom Logo

#### Case

- Stainless steel AISI-304 case & bayonet bezel ring
- Individual serial number for traceability

#### Dial

- Aluminum White face with black & red printing

#### Accuracy

- $\pm 1.0\%$  of full scale (NS 100 & 150mm)
- $\pm 3\%$  of full scale (NS 63mm)

#### Window

- Laminated safety glass

#### Temperature Range

- Ambient:  $-20^{\circ}\text{C}$  ...  $+60^{\circ}\text{C}$  (dry)
- Process:  $+100^{\circ}\text{C}$  maximum

#### Movement

- Stainless steel AISI-304 with min. needle stop

#### Measuring Element

- Bourdon tube – Stainless Steel AISI-316

#### Neck/Thread

- 1/4 BSPT Male / Stainless Steel AISI-316 (NS - 63mm)
  - 3/8 BSPT Male / Stainless Steel AISI-316 (NS - 100mm)
  - 1/2 BSPT Male / Stainless Steel AISI-316 (NS - 150mm)
- Includes internal thread to mount restrictor screw for pulsation dampening

#### Pointer

- Aluminum, black

## Product Selection Data

Choose your product specifications and options below to configure your product



Model	Size	Mounting		Wetted Parts		Range		Thread		Oil Fill
ASG	63	A	Direct Mount / Bottom Entry	S	316 Stainless Steel	01	-100 - 0 kPa	1/4	1/4 BSPT	OF
	100					02	-100 -0- 60 kPa	3/8	3/8 BSPT	Leave Blank if Dry
	160	C	Direct Mount / Rear Entry			03	-100 -0- 150 kPa	1/2	1/2 BSPT	
						04	-100 -0- 300 kPa			
	S	Surface Mount / Bottom Entry (Back Flange)	05			-100 -0- 500 kPa				
			06			-100 -0- 900 kPa				
	P	Panel Mount / Rear Entry (U-Clamp Fixing)	07			-100 -0- 1600 kPa				
			09			0 - 100 kPa				
	F	Flush Mount / Rear Entry (3-Hole Front Flange)	10			0 - 160 kPa				
			11			0 - 250 kPa				
			12			0 - 400 kPa				
			13			0 - 600 kPa				
			14			0 - 800 kPa				
			15			0 - 1000 kPa				
	16	0 - 1600 kPa								
	17	0 - 2500 kPa								
	18	0 - 4000 kPa								
	19	0 - 6000 kPa								
	20	0 - 8000 kPa								
	21	0 - 10,000 kPa								
	22	0 - 16,000 kPa								
	23	0 - 25,000 kPa								
	24	0 - 40,000 kPa								

### Options/Accessories for Pressure Gauges

- Red Set Pointer with Adjustment Knob
- Min or Max Pointer with Adjustment
- Reducers/Adaptors
- Snubbers with Adjustment Screw
- Pigtail or U Syphons
- Perspex Window
- Diaphragm Seals

### Customised Gauges

Floyd Instruments specialises in customising gauges to customers' requirements from special dial markings, red lines, coloured sectors, purpose wording or company logos.

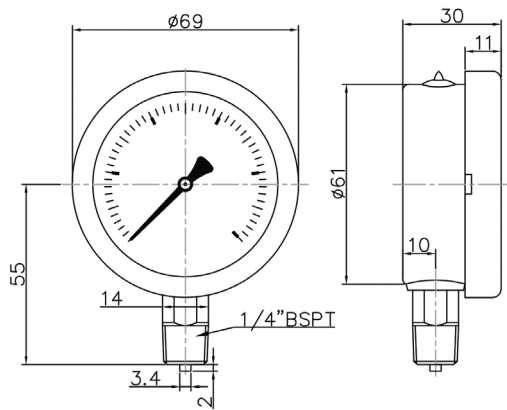
Scales can be offered in units of kPa, PSI (lb/in2), bar, mWg, ftWg, inWg, mmWg, inHg, cmHg, mmHg, KG/cm2, KN, Ton, Tonne, refrigerant, ammonia, vacuum, dual scale and other.

Enquire today to discuss your customized gauge requirements, with one of our friendly Customer Care team members

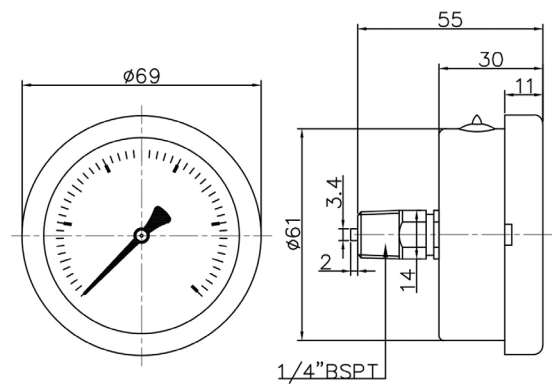


## Dimensional Data 63mm

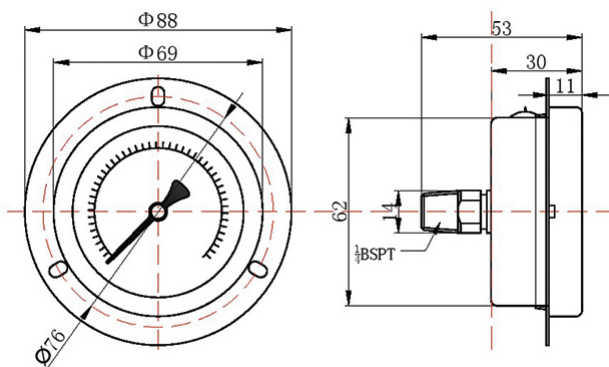
### Direct mount bottom entry



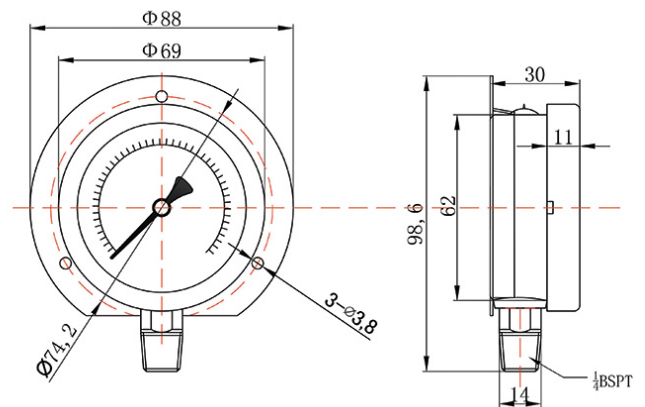
### Direct mount rear entry



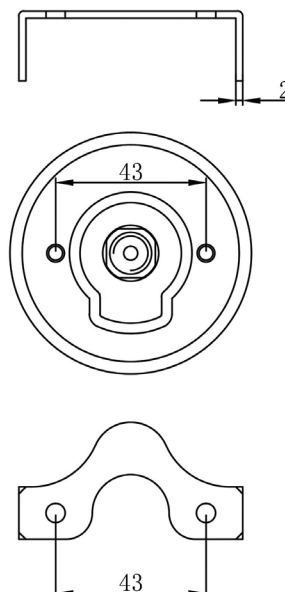
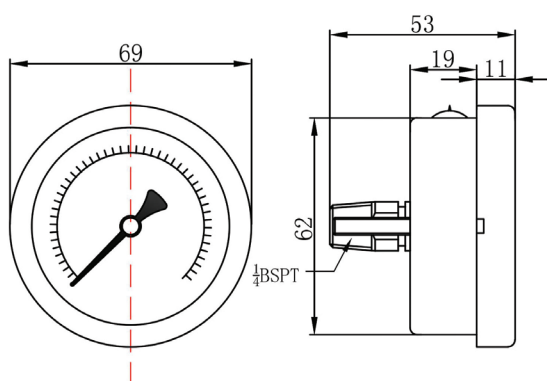
### Flush mount rear entry



### Surface mount bottom entry

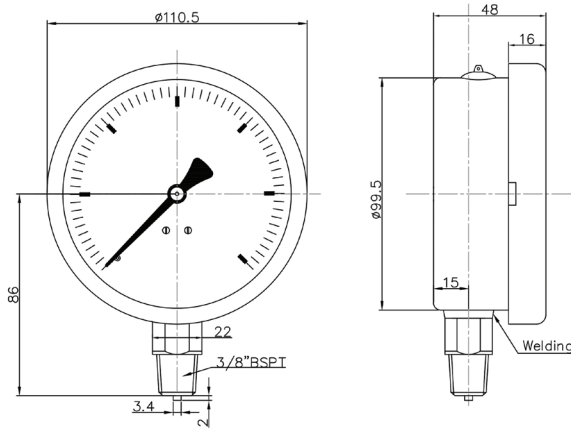


### Panel mount rear entry

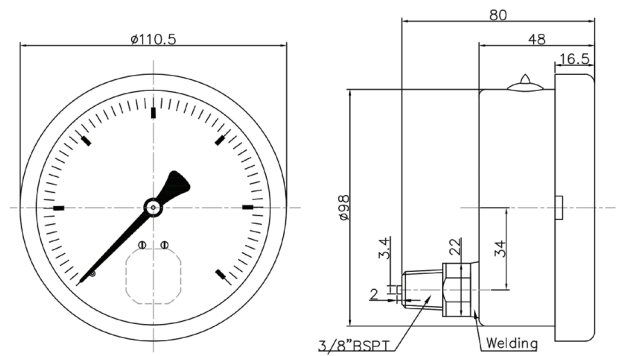


## Dimensional Data 100mm

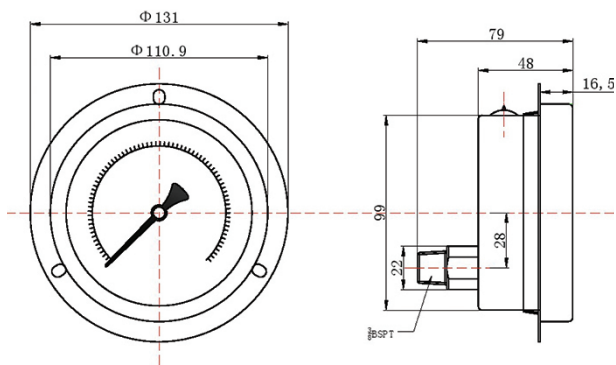
### Direct mount bottom entry



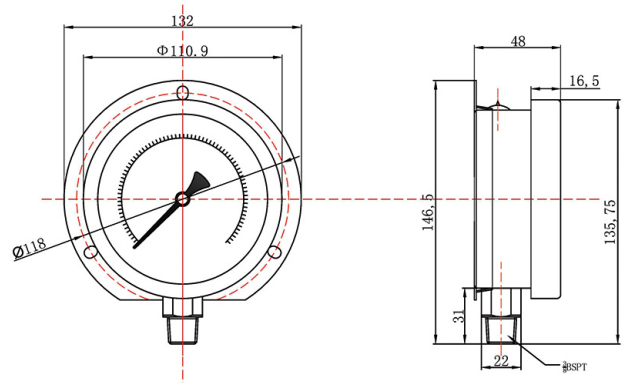
### Direct mount rear entry



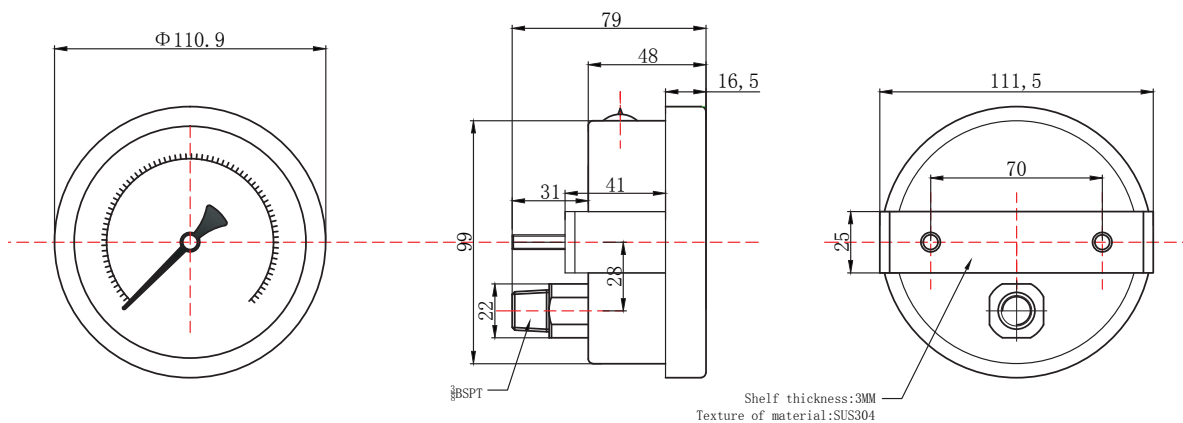
### Flush mount rear entry



### Surface mount bottom entry

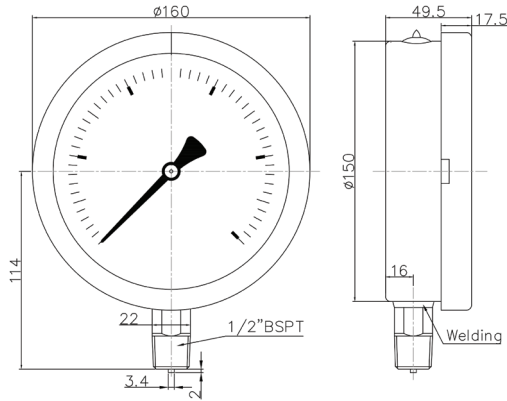


### Panel mount rear entry

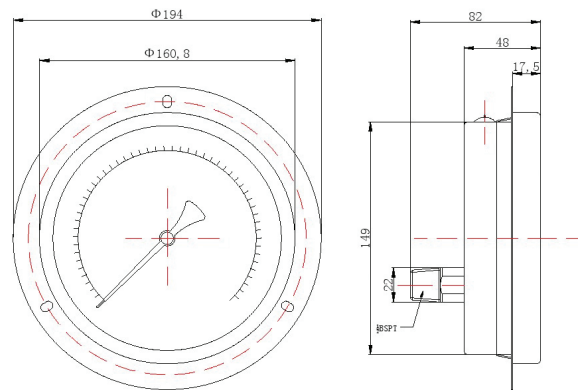


## Dimensional Data 150mm

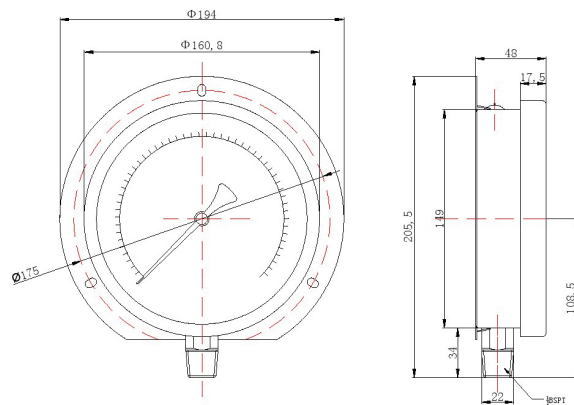
### Direct mount bottom entry



### Flush mount rear entry



### Surface mount bottom entry



### Panel mount rear entry

